

PLEASE KEEP ME WITH YOUR PROOF OF PURCHASE FOR FUTURE REFERENCE



Dubai/Sanza 3 Seat Swing

(69804012 / 69804023)

ATTENTION:

1. Please read these instructions carefully before assembly
2. Aluminium is soft metal and over tightening may strip thread or break the part
3. **DO NOT** use power tools
4. Please allow 30 minutes for assembly
5. Although assembly only requires 1 person it is advised that a second person be present to help place into position when fully assembled

ASSEMBLY STEPS:

1. Attach leg (G) to connect tube 1 (H), connect tube 2 (I) and connector (F) with bolts (AA), flat washers (BB) and locknuts (CC) using spanner (JJ).
2. Attach roof tube (J) to roof (E) with bolts (FF).
3. Attach upper support bar (O) to above assembled leg frame with bolts (DD) and connect bottom support bar (N) with bolts (EE).
4. Fix roof (E) on top with adjustable screws (P) on both sides.
5. Attach armrest (A and B) to seating part (C) with bolts (GG).
6. Attach backrest (D) to assembled sofa with bolts (GG).
7. Attach hanging tube (K and L) to armrest with bolts (GG) and plastic washers (HH).
8. Hanging the assembled sofa to the upper support tube with springs (M).

For more information regarding maintenance of your furniture please visit

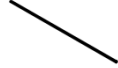






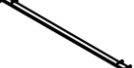

<http://www.hartmanuk.com.html>

Component's				Fixings					
Parts List	Parts Picture	Description	Q'ty	Part no	Parts list	Parts Picture	Description	Q'ty	Part no.
A		LH armrest	1	69804012A 69804023A	AA		M8*60 bolts	6	2100055
B		RH armrest	1	69804012B 69804023B	BB		M6 Flat washers	6	2100056
C		Seating frame	1	69804012C 69804023C	CC		Locknuts	6	2002178
D		Backrest	1	69804012D 69804023D	DD		M8*25 bolts	4	1061162
E		Roof	1	69804012E 69804023E	EE		M6*25 bolts	4	2002166
F		Connectors	2	69804012F 69804023F	FF		M6*35 bolts	10	2100045
G		Leg tube	2	69804012G 69804023G	GG		M6 *40 bolts	12	1121162
H		Connect tube 1	2	69804012H 69804023H	HH		Plastic washers	4	1241162
I		Connect tube 2	2	69804012I 69804023I	II		Spanner	1	

For replacement or lost spare parts please go to <http://faq.hartmanuk.co.uk/spares/>

Should you have any queries about your furniture your first point of contact should be the retailer from whom you purchased your product

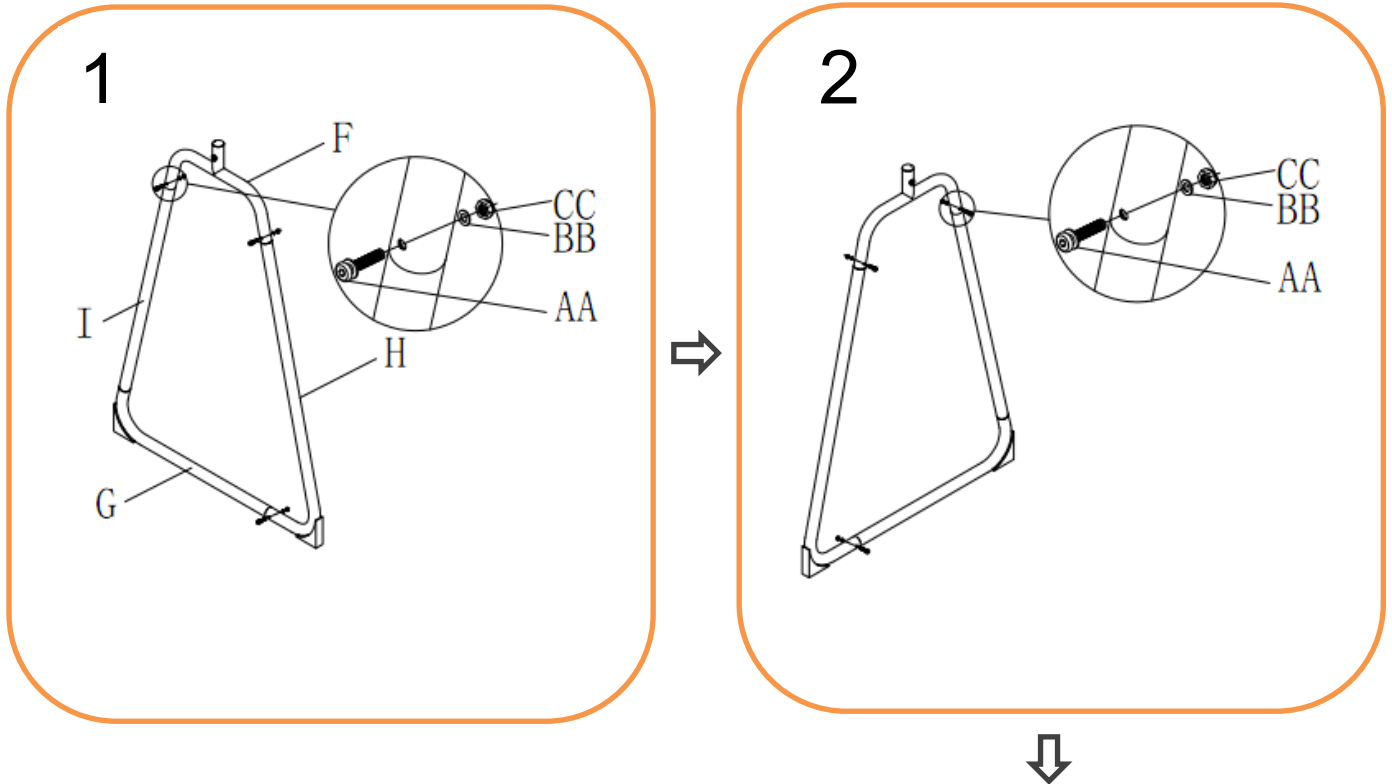
PLEASE KEEP ME WITH YOUR PROOF OF PURCHASE FOR FUTURE REFERENCE

J		Roof tube	3	69804012J 69804023J	JJ		Allen key M6	1	2002191
K		Rear hanging tube	2	69804012K 69804023K	KK		Allen key M8	1	2200015
L		Front hanging tube	2	69804012L 69804023L					
M		Spring	2	69804012M 69804023M					
N		Bottom support bar	1	69804012N 69804023N					
O		Upper support bar	1	69804012O 69804023O					
P		Adjustable screw	2	69804012P 69804023P					

Hartman®

Dubai 3 Seat Swing

(69804012 / 69804023)

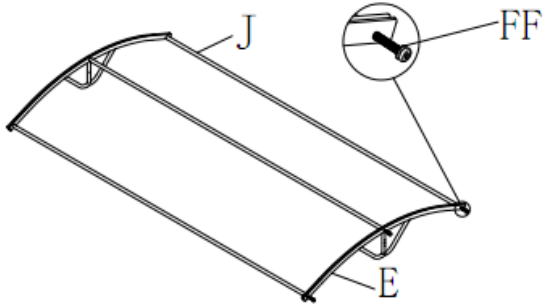


For replacement or lost spare parts please go to <http://faq.hartmanuk.co.uk/spares/>

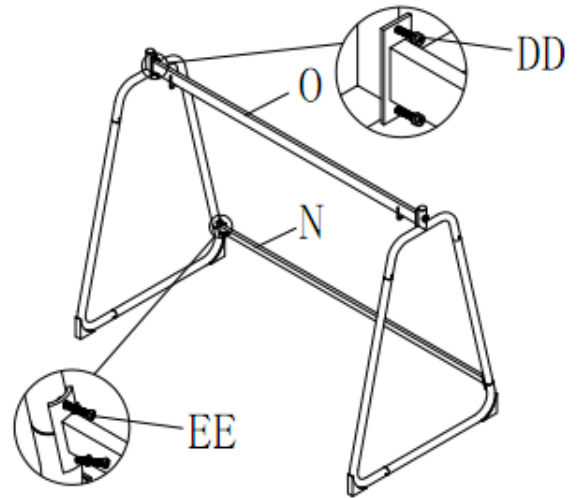
Should you have any queries about your furniture your first point of contact should be the retailer from whom you purchased your product

PLEASE KEEP ME WITH YOUR PROOF OF PURCHASE FOR FUTURE REFERENCE

4



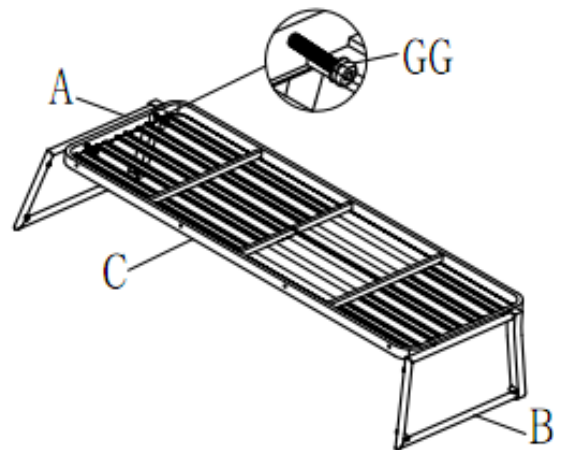
3



5



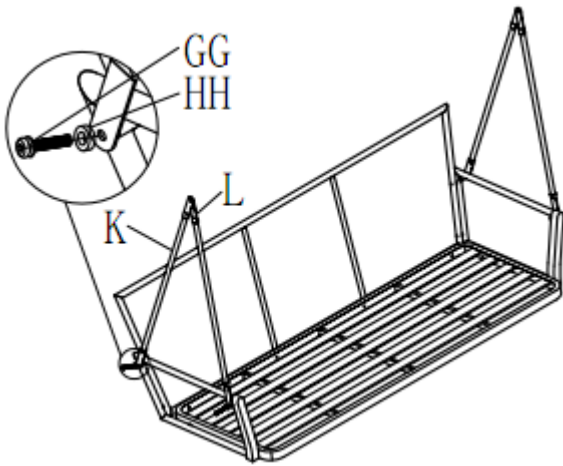
6



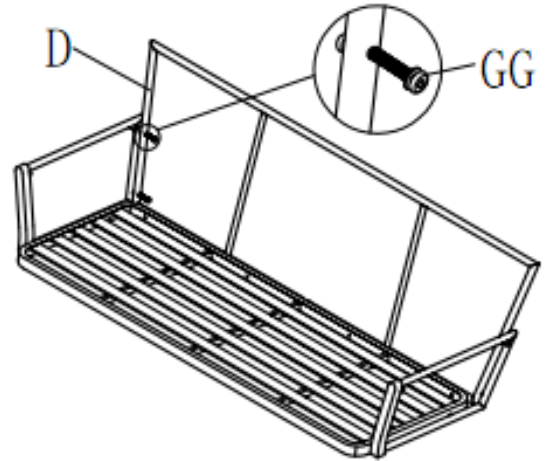
For replacement or lost spare parts please go to <http://faq.hartmanuk.co.uk/spares/>
Should you have any queries about your furniture your first point of contact should be the retailer from whom you purchased your product

PLEASE KEEP ME WITH YOUR PROOF OF PURCHASE FOR FUTURE REFERENCE

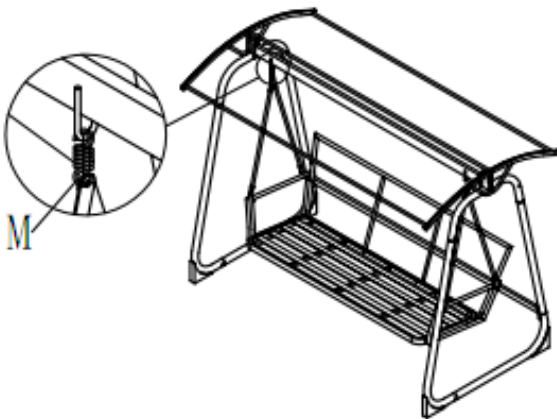
8



7



9



For replacement or lost spare parts please go to <http://faq.hartmanuk.co.uk/spares/>
Should you have any queries about your furniture your first point of contact should be the retailer from whom you purchased your product