

PLEASE KEEP ME WITH YOUR PROOF OF PURCHASE FOR FUTURE REFERENCE



ASSEMBLY INSTRUCTIONS

ROMA PERGOLA

(68542009)

ATTENTION:.

1. Please read these instructions carefully before assembly
2. Aluminium is soft metal and over tightening may strip thread or break the part
3. **DO NOT** use power tools you will need a Philips screwdriver to assemble the pergola
4. Please allow 60 minutes for assembly
5. Assembly will require 2 people and the use of a tall step ladder

ASSEMBLY STEPS:

1. Before assembly of pergola, slide curtain hooks (C) into slot of beam (see diagram)
2. If pergola is already assembled, detach leg from beams allowing access to beam slot
3. Attach front curtain (B) to curtain hooks (C)
4. Attach side curtain (A) to end canopy supports
5. If needed, attach curtains to legs using straps found on each curtain

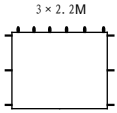
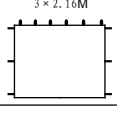

For more information regarding maintenance of your furniture please visit

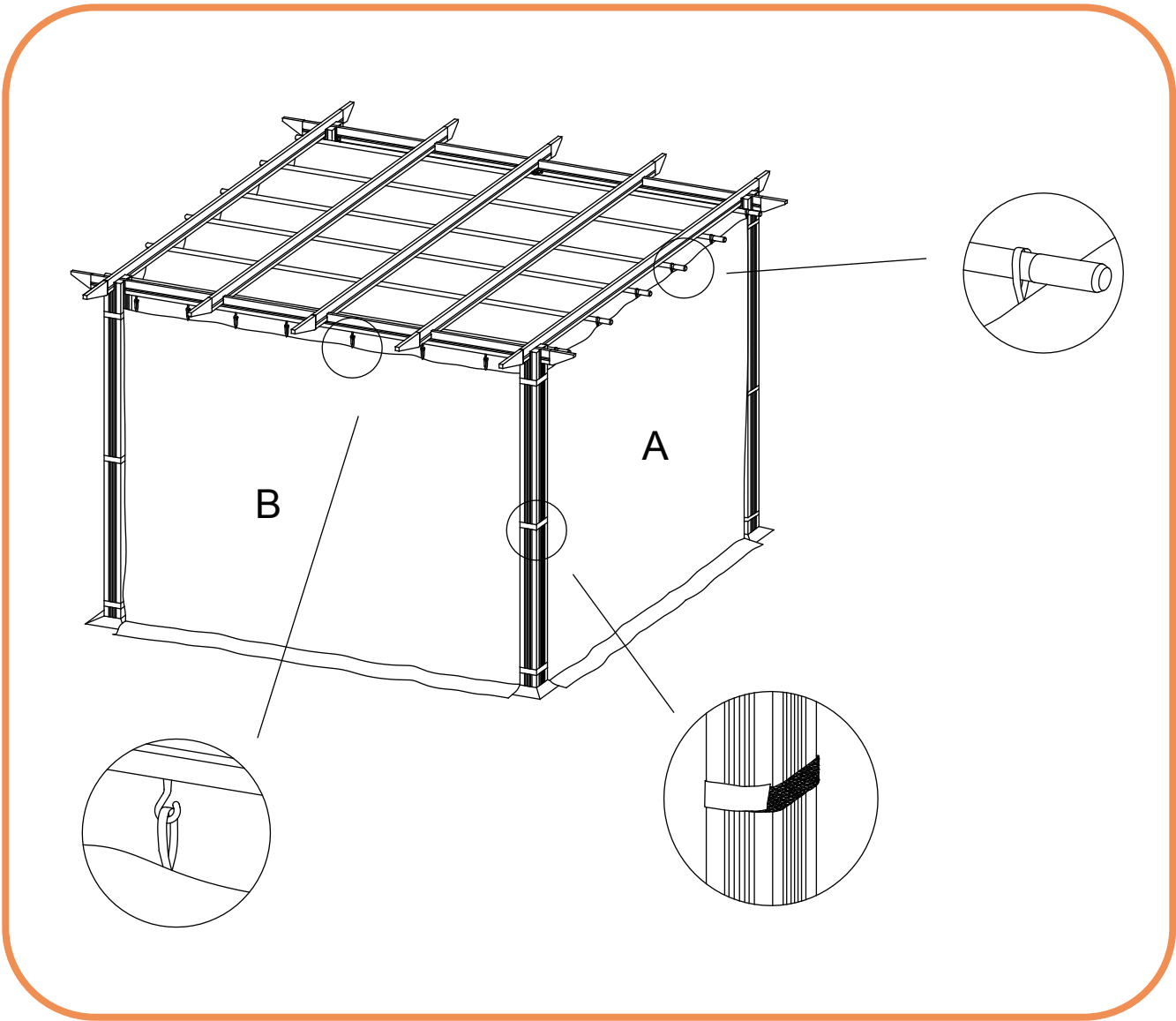
http://www.hartmanuk.co.uk/after_care_videos.html

For replacement or lost spare parts please go to <http://faq.hartmanuk.co.uk/spares/>

Should you have any queries about your furniture your first point of contact should be the retailer from whom you purchased your product

PLEASE KEEP ME WITH YOUR PROOF OF PURCHASE FOR FUTURE REFERENCE

Parts List	Parts Picture	Description	Qty	Part No
A		Side curtain	1	68542009A
B		Front curtain	1	68542009B
C		Curtain hook	7	1600002



For replacement or lost spare parts please go to <http://faq.hartmanuk.co.uk/spares/>
Should you have any queries about your furniture your first point of contact should be the retailer from whom you purchased your product