

PLEASE KEEP ME WITH YOUR PROOF OF PURCHASE FOR FUTURE REFERENCE



ASSEMBLY INSTRUCTIONS

Heritage Gravity Relaxer Chair

Beech ref. 68173145

Grey ref. 68193146



ATTENTION:

1. Please read these instructions carefully before assembly
2. Aluminium is soft metal and over tightening may strip thread or break the part
3. **DO NOT** use power tools
4. Please allow 30 minutes for assembly
5. Although assembly only requires 1 person it is advised that a second person be present to help turn the table over and into position when fully assembled.

ASSEMBLY STEPS:

1. Clip backrest frame (B) to the adjuster on seating frame (A)

For more information regarding maintenance of your furniture and to register your warranty, please visit www.hartmanuk.com

Component's					Fixings				
Parts List	Parts Picture	Description	Q'ty	Part no	Parts list	Parts Picture	Description	Q'ty	Part no.
A		Seating frame	1	Beech 68173145A Grey 68193146A	E				
B		Backrest frame	1	Beech 68173145B Grey 68193146B	F				
C					G				
D									

For replacement or lost spare parts please go to <http://faq.hartmanuk.co.uk/spares/>

Should you have any queries about your furniture your first point of contact should be the retailer from whom you purchased your product

PLEASE KEEP ME WITH YOUR PROOF OF PURCHASE FOR FUTURE REFERENCE

Hartman®

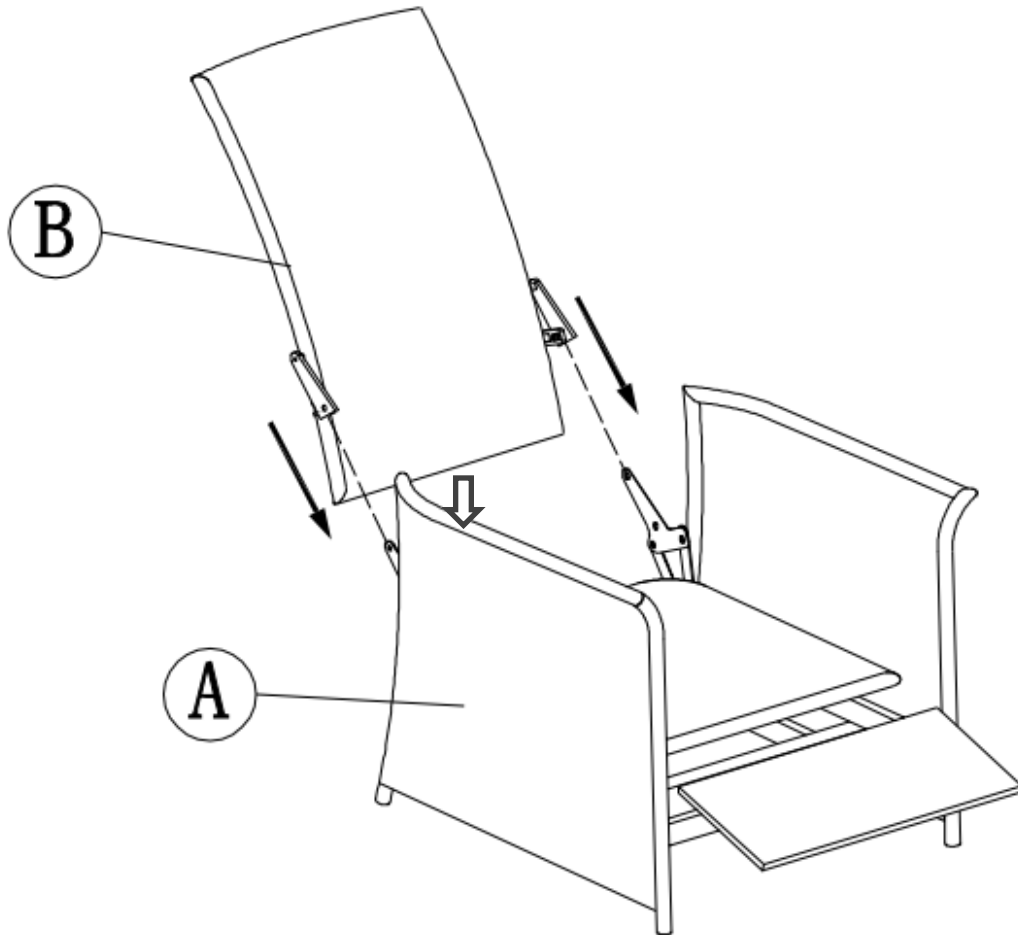
ASSEMBLY INSTRUCTIONS

Heritage Gravity Relaxer Chair

Beech ref. 68173145

Grey ref. 68193146

1



For replacement or lost spare parts please go to <http://faq.hartmanuk.co.uk/spares/>
Should you have any queries about your furniture your first point of contact should be the retailer from whom you purchased your product