

PLEASE KEEP ME WITH YOUR PROOF OF PURCHASE FOR FUTURE REFERENCE




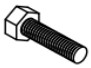
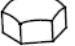


ATTENTION:

1. Please read these instructions carefully before assembly
2. Aluminium is soft metal and over tightening may strip thread or break the part
3. **DO NOT** use power tools
4. Please allow 30 minutes for assembly
5. Although assembly only requires 1 person it is advised that a second person be present to help turn the sofa over and into position when fully assembled

ASSEMBLY STEPS FOR LEFT HAND SECTION:

1. Position part (A) and part (B) ready for assembly
2. With 5 bolts (F) and 5 flat washers (C) LOOSELY attach back piece (A) with spanner (G) to seating section (B) DO NOT TIGHTEN BOLTS AT THIS STAGE.
3. With 2 bolts (D) and 2 flat washers (C) LOOSELY attach front and rear leg with spanner (G) to seating section (B) DO NOT TIGHTEN BOLTS AT THIS STAGE.
4. Tighten all bolts using the spanner (G) cover all bolts using nut cap (E)
5. Turn it over and place where required.

For more information regarding maintenance of your furniture and to register your warranty, please visit www.hartmanuk.com

Component's LEFT HAND SECTION 68148145 / 68135146 / 68135156					Fixings				
Parts List	Parts Picture	Description	Q'ty	Part no	Parts list	Parts Picture	Description	Q'ty	Part no.
A		Backrest with LH arm	1	68148145ALH 68135146ALH 68135156ALH	C		Big Flat Washers	7	1311162
B		Seating Section	1	68148145BLH 68135146BLH 68135156BLH	D		M6*50 bolts	2	2002176
					E		Nut cap	7	2002170
					F		M6*45 bolts	5	2002167
					G		Spanner	1	1020162

For replacement or lost spare parts please go to <http://faq.hartmanuk.co.uk/spares/>

Should you have any queries about your furniture your first point of contact should be the retailer from whom you purchased your product

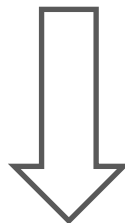
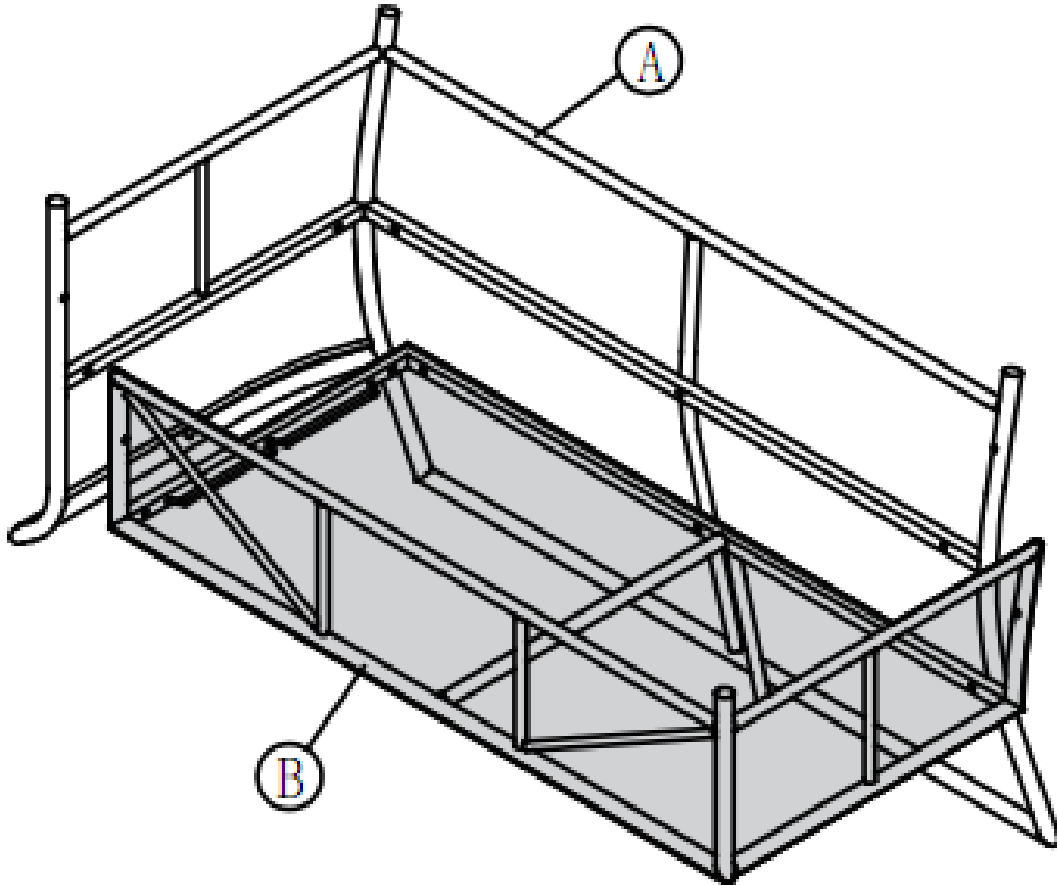
PLEASE KEEP ME WITH YOUR PROOF OF PURCHASE FOR FUTURE REFERENCE

ASSEMBLY INSTRUCTIONS

Heritage/Langdale Grand Square Casual Dining Corner Set Frame

(68148145 / 68135146 / 68135156)

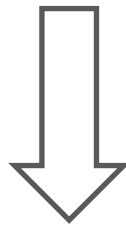
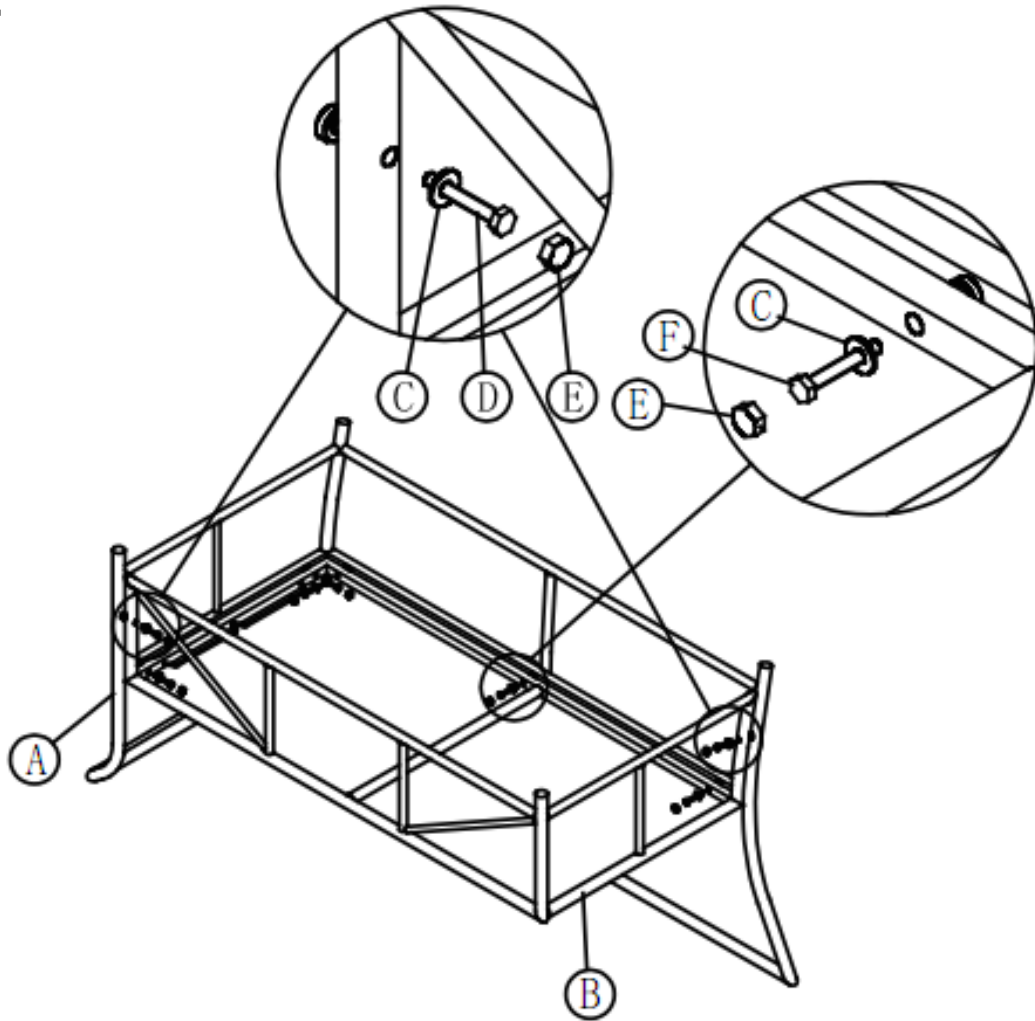
1



For replacement or lost spare parts please go to <http://faq.hartmanuk.co.uk/spares/>
Should you have any queries about your furniture your first point of contact should be the retailer from whom you purchased your product

PLEASE KEEP ME WITH YOUR PROOF OF PURCHASE FOR FUTURE REFERENCE

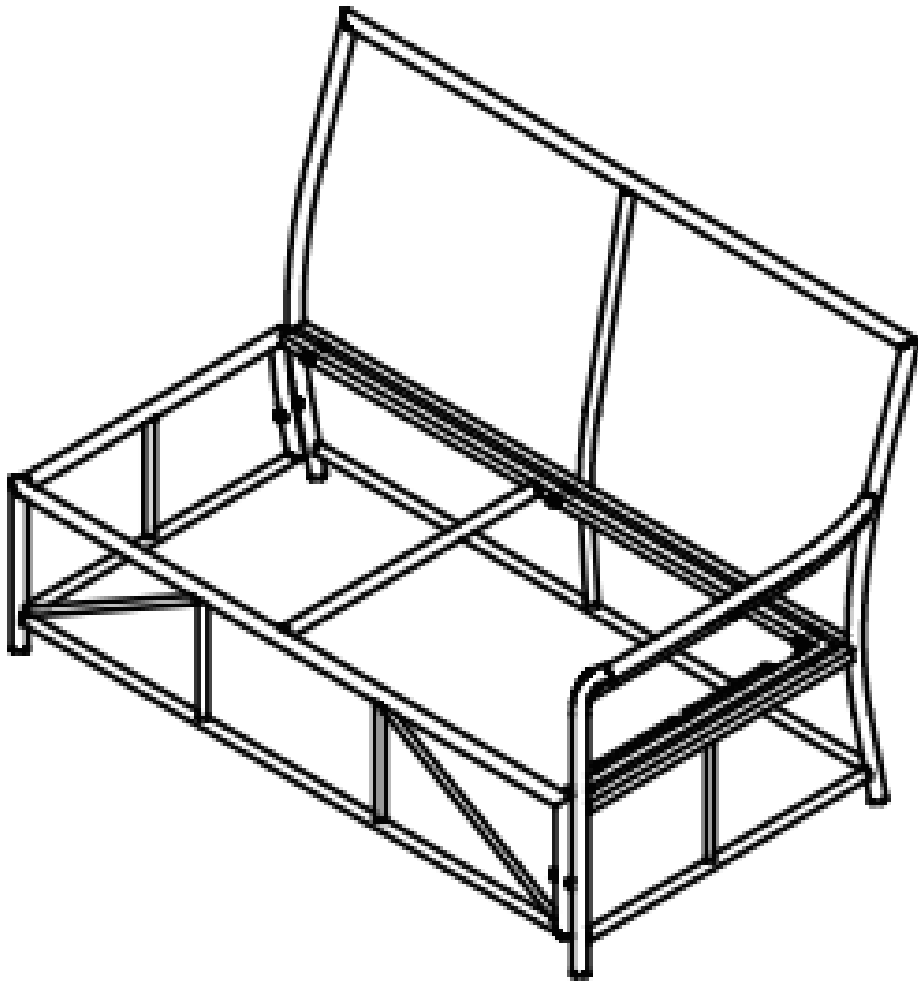
2



For replacement or lost spare parts please go to <http://faq.hartmanuk.co.uk/spares/>
Should you have any queries about your furniture your first point of contact should be the retailer from whom you purchased your product

PLEASE KEEP ME WITH YOUR PROOF OF PURCHASE FOR FUTURE REFERENCE

3




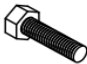

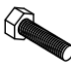



For replacement or lost spare parts please go to <http://faq.hartmanuk.co.uk/spares/>
Should you have any queries about your furniture your first point of contact should be the retailer from whom you purchased your product

PLEASE KEEP ME WITH YOUR PROOF OF PURCHASE FOR FUTURE REFERENCE

ASSEMBLY STEPS FOR RIGHT HAND SECTION:

1. Position part (A) and part (B) ready for assembly
2. With 5 bolts (F) and 5 flat washers (C) LOOSELY attach back piece (A) with spanner (G) to seating section (B) DO NOT TIGHTEN BOLTS AT THIS STAGE.
3. With 2 bolts (D) and 2 flat washers (C) LOOSELY attach front and rear leg with spanner (G) to seating section (B) DO NOT TIGHTEN BOLTS AT THIS STAGE.
4. BOLTS AT THIS STAGE.
5. Tighten all bolts using the spanner (G) cover all bolts using nut cap (E)
6. Turn it over and place where required.

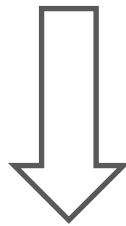
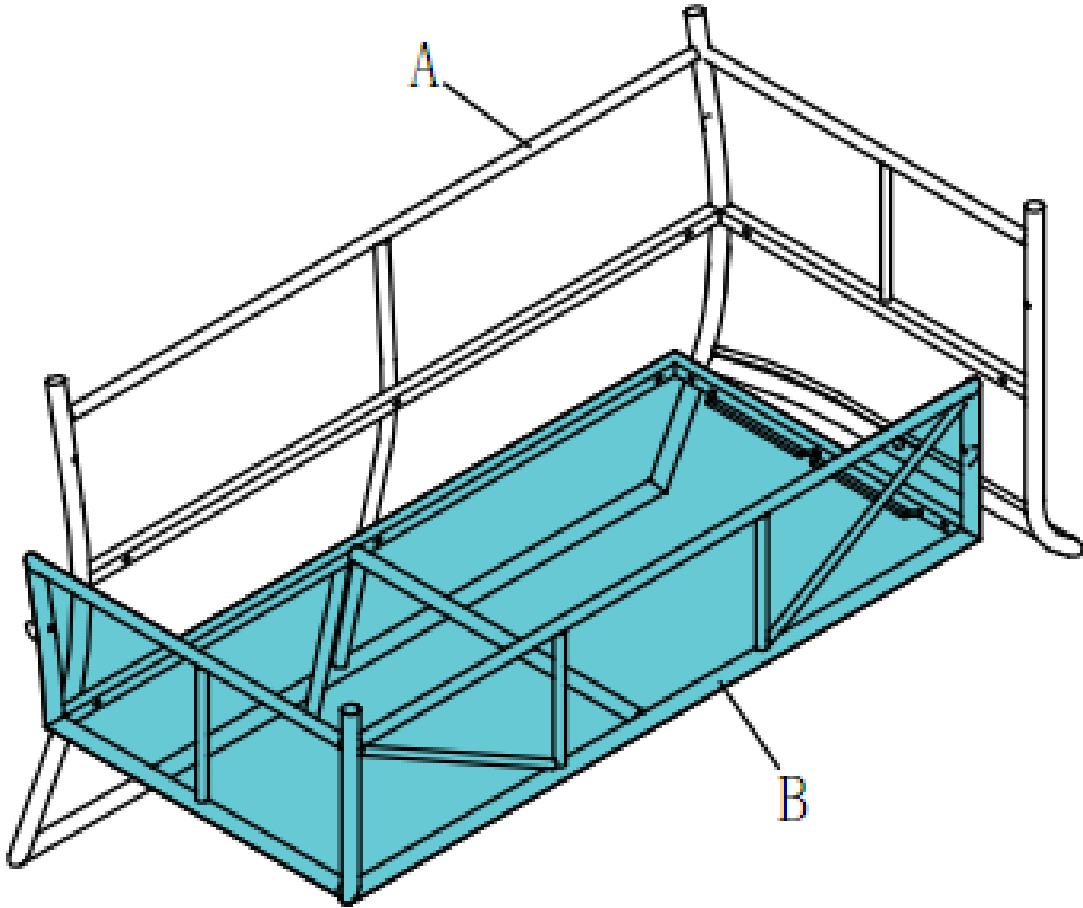
Component's RIGHT HAND SECTION 68148145 / 68135146 / 68108150 / 68135156					Fixings				
Parts List	Parts Picture	Description	Q'ty	Part no	Parts list	Parts Picture	Description	Q'ty	Part no.
A		Backrest with RH arm	1	68148145ARH 68135146ARH 68108150ARH 68135156ARH	C		Big Flat Washers	7	1061162
B		Seating Section	1	68148145BRH 68135146BRH 68108150BRH 68135156BRH	D		M6*50 bolts	2	2002176
					E		Nut cap	7	2002170
					F		M6*45 bolts	5	2002167
					G		Spanner	1	1020162

For replacement or lost spare parts please go to <http://faq.hartmanuk.co.uk/spares/>

Should you have any queries about your furniture your first point of contact should be the retailer from whom you purchased your product

PLEASE KEEP ME WITH YOUR PROOF OF PURCHASE FOR FUTURE REFERENCE

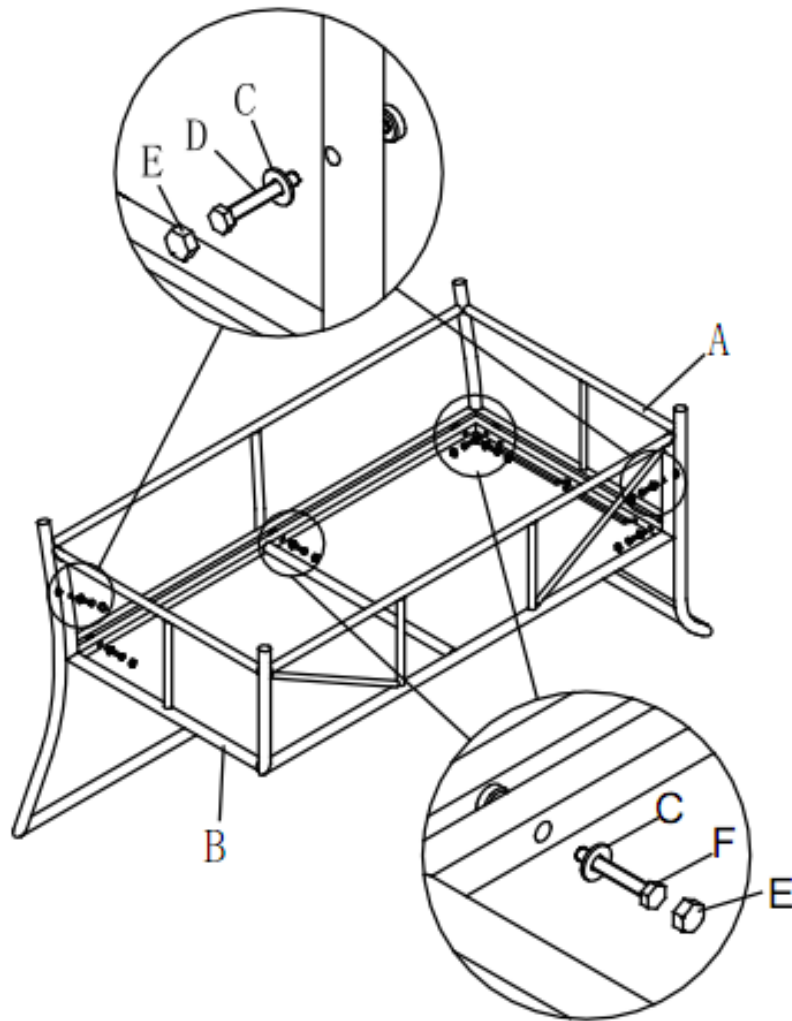
1



For replacement or lost spare parts please go to <http://faq.hartmanuk.co.uk/spares/>
Should you have any queries about your furniture your first point of contact should be the retailer from whom you purchased your product

PLEASE KEEP ME WITH YOUR PROOF OF PURCHASE FOR FUTURE REFERENCE

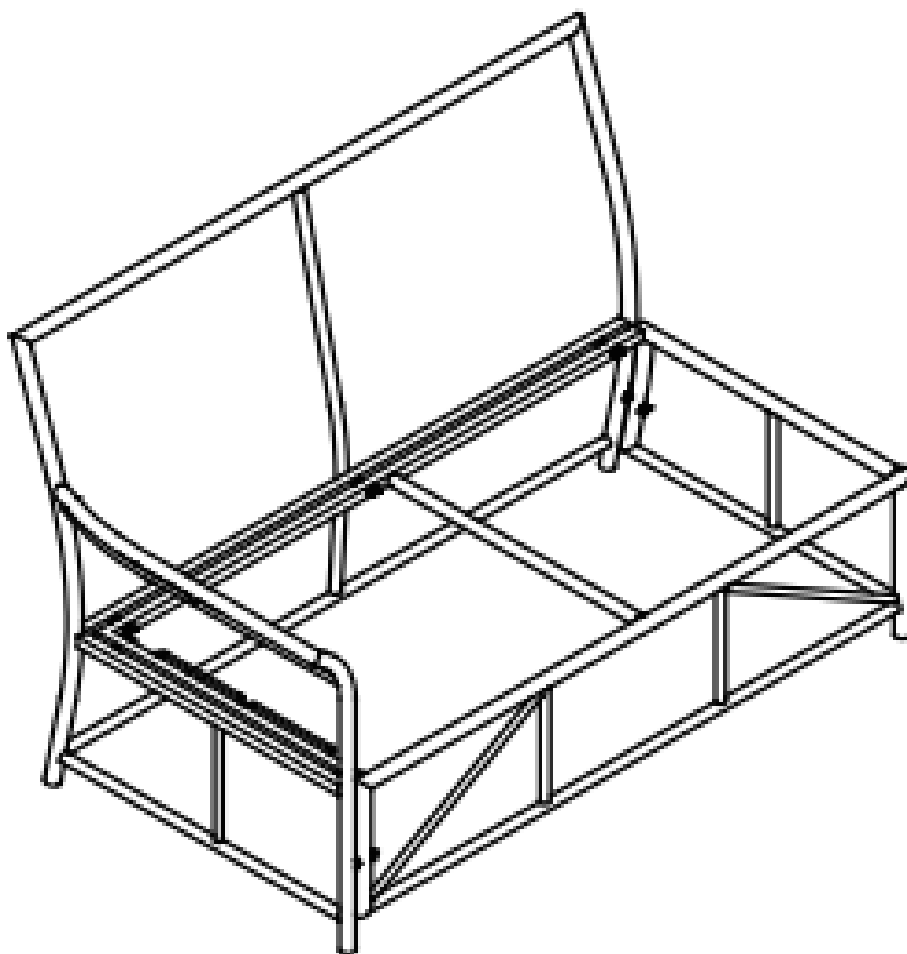
2



For replacement or lost spare parts please go to <http://faq.hartmanuk.co.uk/spares/>
Should you have any queries about your furniture your first point of contact should be the retailer from whom you purchased your product

PLEASE KEEP ME WITH YOUR PROOF OF PURCHASE FOR FUTURE REFERENCE

3



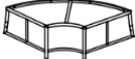






For replacement or lost spare parts please go to <http://faq.hartmanuk.co.uk/spares/>
Should you have any queries about your furniture your first point of contact should be the retailer from whom you purchased your product

PLEASE KEEP ME WITH YOUR PROOF OF PURCHASE FOR FUTURE REFERENCE

ASSEMBLY STEPS FOR CORNER SECTION:

1. Position part (A) and part (B) ready for assembly
2. With 4 bolts (F) and 4 flat washers (C) LOOSELY attach back piece (A) with spanner (G) to seating section (B) DO NOT TIGHTEN BOLTS AT THIS STAGE.
3. With 2 bolts (D) and 2 flat washers (C) LOOSELY attach 2 legs with spanner (G) to seating section (B) DO NOT TIGHTEN
4. BOLTS AT THIS STAGE.
5. Tighten all bolts using the spanner (G) cover all bolts using nut cap (E)
6. Turn it over and place where required.

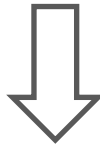
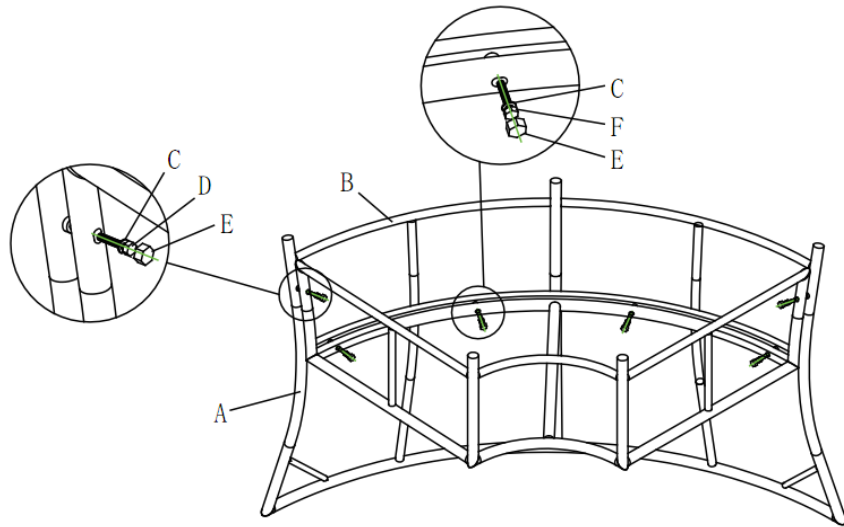
Component's CORNER SECTION 68148145 / 68135146 / 68108150 / 68135156					Fixings				
Parts List	Parts Picture	Description	Q'ty	Part no	Parts list	Parts Picture	Description	Q'ty	Part no.
A		Backrest	1	68148145AC 68135146AC 68108150AC 68135156AC	C		Big Flat Washers	6	1061162
B		Seating Section	1	68148145BC 68135146BC 68108150BC 68135156BC	D		M6*50 bolts	2	2002176
					E		Nut cap	6	2002170
					F		M6*45 bolts	4	2002167
					G		Spanner	1	1020162

For replacement or lost spare parts please go to <http://faq.hartmanuk.co.uk/spares/>

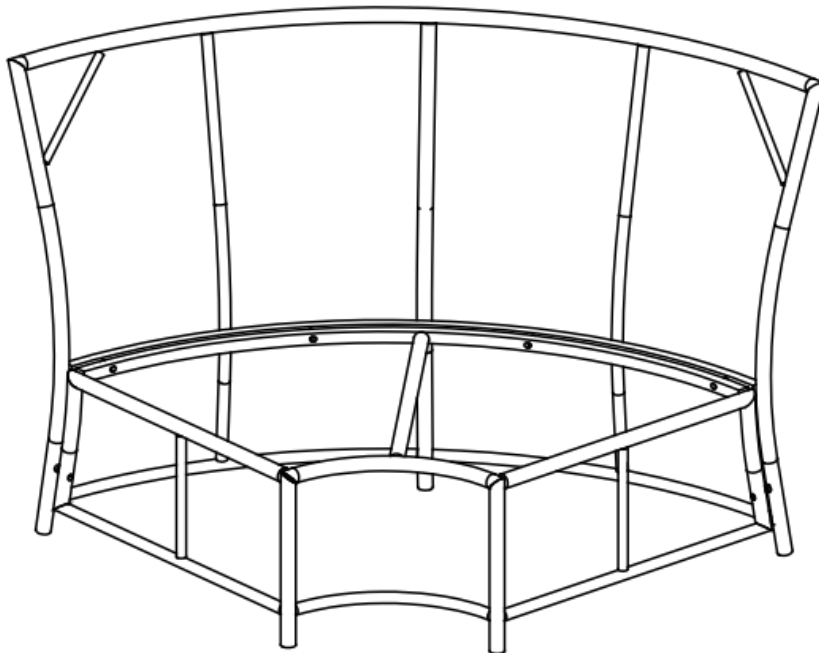
Should you have any queries about your furniture your first point of contact should be the retailer from whom you purchased your product

PLEASE KEEP ME WITH YOUR PROOF OF PURCHASE FOR FUTURE REFERENCE

1



2







For replacement or lost spare parts please go to <http://faq.hartmanuk.co.uk/spares/>
Should you have any queries about your furniture your first point of contact should be the retailer from whom you purchased your product

PLEASE KEEP ME WITH YOUR PROOF OF PURCHASE FOR FUTURE REFERENCE

ASSEMBLY STEPS CONNECTING SOFAS:

1. Position part (A1) and part (B1) ready for assembly
2. With brackets (D1) position over the section that adjoin parts (A1) and (B1). Diagram 2.
3. Turn sofas over and place where required

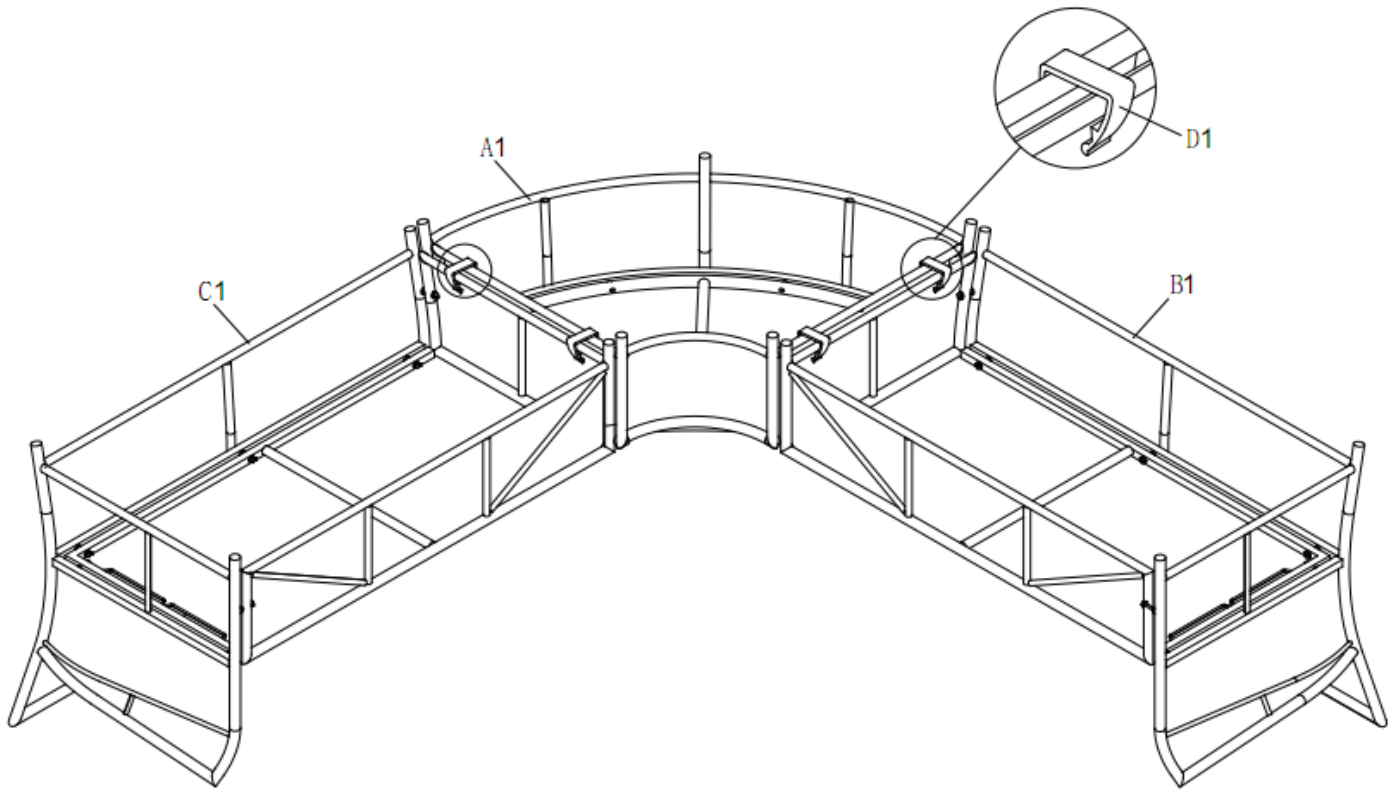
Put all cushions on the sofa

Component's CONNECTING SOFAS					Fixings				
Parts List	Parts Picture	Description	Q'ty	Part no	Parts list	Parts Picture	Description	Q'ty	Part no.
A1		Corner sofa	1	n/a	D1		Bracket	4	2002189
B1		RH Sofa	1	n/a					
C1		LH Sofa	1	n/a					

For replacement or lost spare parts please go to <http://faq.hartmanuk.co.uk/spares/>

Should you have any queries about your furniture your first point of contact should be the retailer from whom you purchased your product

PLEASE KEEP ME WITH YOUR PROOF OF PURCHASE FOR FUTURE REFERENCE



For replacement or lost spare parts please go to <http://faq.hartmanuk.co.uk/spares/>
Should you have any queries about your furniture your first point of contact should be the retailer from whom you purchased your product

PLEASE KEEP ME WITH YOUR PROOF OF PURCHASE FOR FUTURE REFERENCE



ASSEMBLY INSTRUCTIONS

Heritage/Langdale 115cm Square Fire Pit Inlaid Casual Ceramic Dining Table with Beads (GT-11472-ARG)

(68210145 / 68211145 / 68210146 / 68211146 / 68114150 / 68115150)

ATTENTION:










1. Please read these instructions carefully before assembly
2. Aluminium is a soft metal and over tightening may strip the thread or break the part
3. **DO NOT** use power tools
4. Please allow 30 minutes for assembly
5. Although assembly only requires 1 person it is advised that a second person be present to help turn the table over and into position when fully assembled

ASSEMBLY STEPS:

1. Turn table top over and put onto a soft clean surface, be careful of the glass fixed on table top and no need to take out of the glass
2. **LOOSELY** attach base section (B) to table top (A) with bolts (E) and big flat washers (F) using Allen key (I) **DO NOT TIGHTEN THE BOLTS AT THIS STAGE**
3. **LOOSELY** attach the igniter switch with bolts (E) and big flat washers (F) using Allen key(I)
4. Tighten all bolts one by one using Allen key, being careful not to over tighten any as this will cause the thread to become damaged
5. Turn table top over and place in desired position, be careful of the glass fixed on table top while turning over the table
6. Push the door on the base open along the track, connect the gas pipe then put the gas tank on the track and push to close the door
7. Pour the bag of glass beads into fire pit
8. Put the centre glass (C) on top of the fire pit
9. Fire guard: fix 4pc glass (G) onto the glass clips (H). Note: When installing the glass clips, the direction of the clip on the same piece of glass must be in reverse.
10. Put the assembled fire guard on the correct position on table top, the table is assembled completely.

For more information regarding maintenance of your furniture please visit

<https://www.hartmanuk.com/home>

Component's					Fixings				
Parts List	Parts Picture	Description	Q'ty	Part no	Parts list	Parts Picture	Description	Q'ty	Part no.
A		Table Top with Glass	1	68210145A 68210146A	G		Fire Guard Glass	4	68210145G
B		Base	1	68211145B 68211146B	H		Glass clip	8	2100042
C		Centre glass	1	68210145C 68210146C	I		Allen key	1	2002191
D		Glass beads	1	68210145D					
E		M6*20 bolts	8	1017162					
F		Flat washer	8	1061162					

For replacement or lost spare parts please go to <http://spares.hartmanuk.co.uk/purchase>

Should you have any queries about your furniture your first point of contact should be the retailer from whom you purchased your product

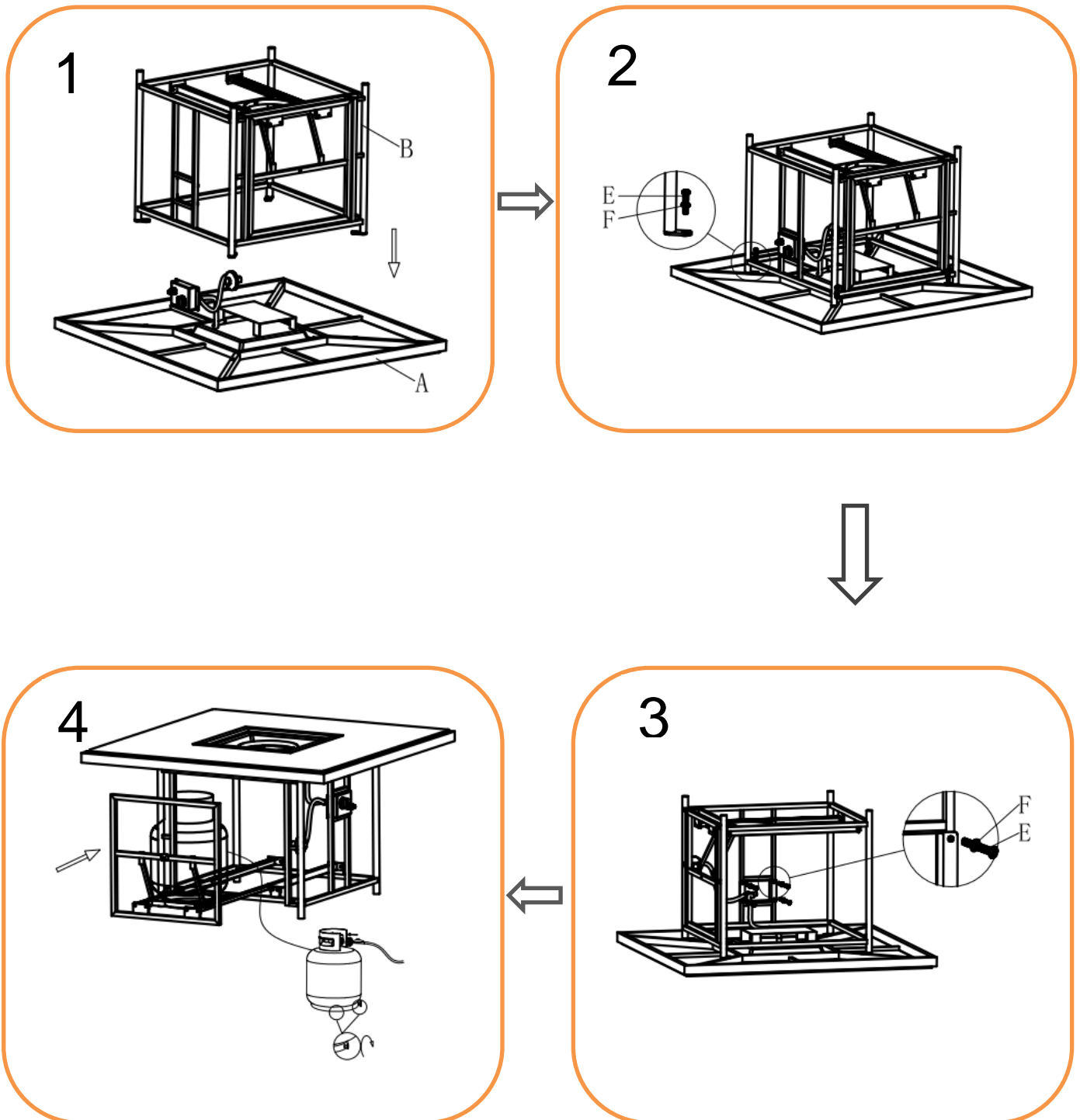
PLEASE KEEP ME WITH YOUR PROOF OF PURCHASE FOR FUTURE REFERENCE



ASSEMBLY INSTRUCTIONS

Heritage/Langdale 115cm Square Gas Inlaid Casual Ceramic Dining Table with Beads (GT-11472-ARG)

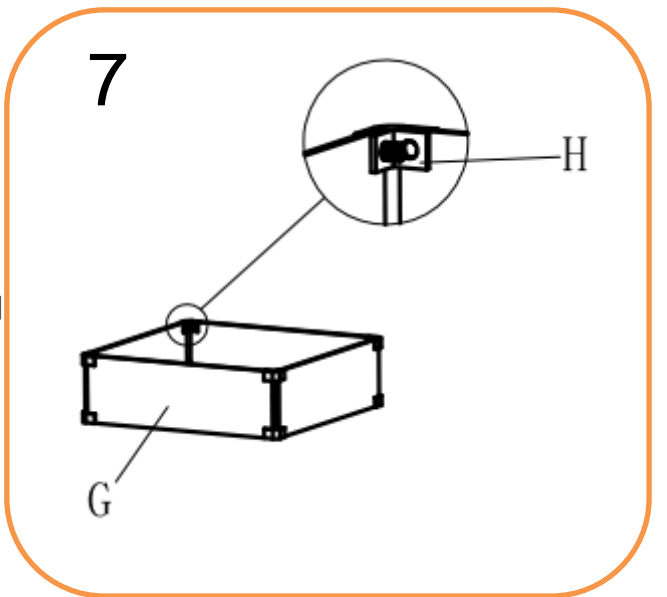
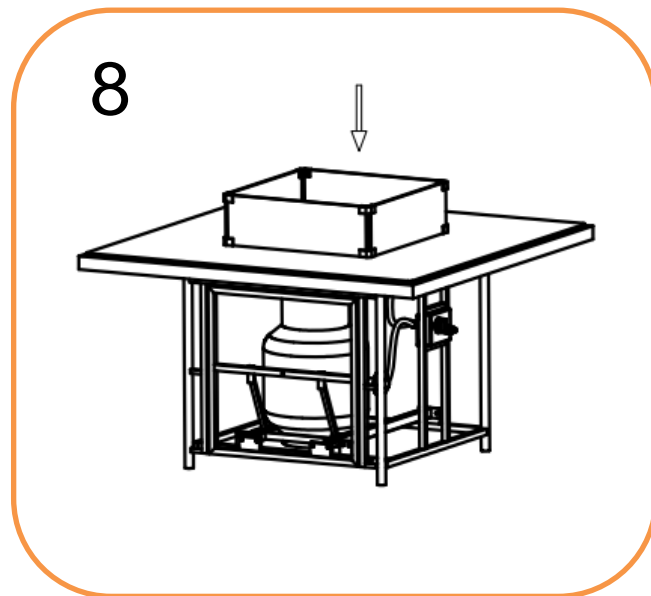
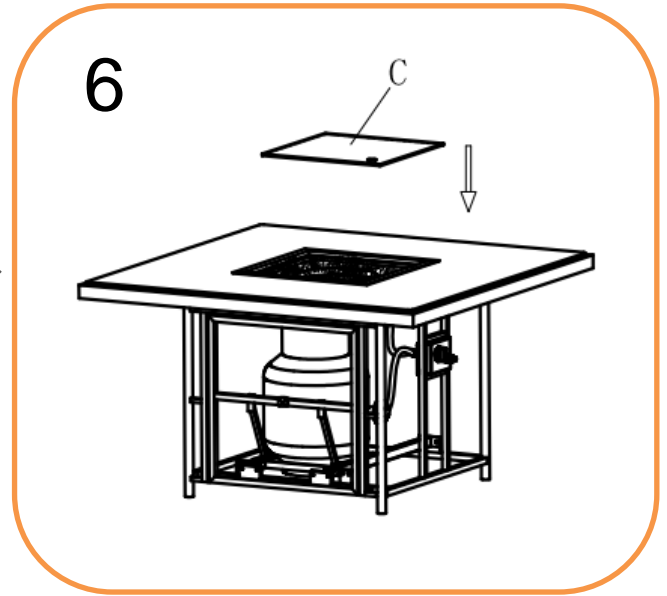
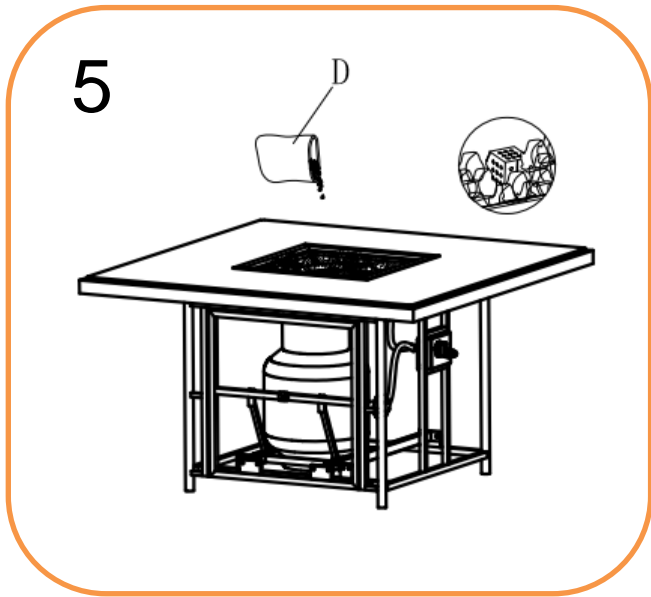
(68210145 / 68211145 / 68210146 / 68211146 / 68114150 / 68115150)



For replacement or lost spare parts please go to <http://spares.hartmanuk.co.uk/purchase>

Should you have any queries about your furniture your first point of contact should be the retailer from whom you purchased your product

PLEASE KEEP ME WITH YOUR PROOF OF PURCHASE FOR FUTURE REFERENCE



For replacement or lost spare parts please go to <http://spares.hartmanuk.co.uk/purchase>

Should you have any queries about your furniture your first point of contact should be the retailer from whom you purchased your product