

PLEASE KEEP ME WITH YOUR PROOF OF PURCHASE FOR FUTURE REFERENCE



ASSEMBLY INSTRUCTIONS

Heritage Grand Round Daybed Set

(68169145 / 68199146)

ATTENTION:

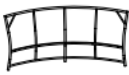




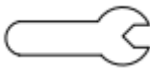
1. Please read these instructions carefully before assembly
2. Aluminium is a soft metal and over tightening may strip the thread or break the part
3. **DO NOT** use power tools
4. Please allow 15 minutes for assembly
5. Although assembly only requires 1 person it is advised that a 2nd person be present to help turn the seat unit over and into position when fully assembled.

ASSEMBLY STEPS:

1. For the this step make sure the floor is covered as not to cause damage to the frame
2. Turn the seat unit upside down and hold the back unit in position.
3. **LOOSELY** attach backrest (A) to seating frame (B) with bolts (C), bolts (D) and flat washers (E) using spanner (F)
4. Tighten all bolts using spanner (F) one by one being careful not to over tighten any as this will cause the thread to become damaged

For more information regarding maintenance of your furniture please visit

<https://www.hartmanuk.com/home>

Component's				Fixings					
Parts List	Parts Picture	Description	Q'ty	Part no	Parts list	Parts Picture	Description	Q'ty	Part no.
A		Backrest	1	68169145A 68199146A	C		Bolts M6*45mm	5	2002167
B		Seating frame	1	68169145B 68199146B	D		Bolts M6*50mm	2	2002162
					E		Flat washers	7	1061162
					F		Spanner	1	1020162

For replacement or lost spare parts please go to <http://spares.hartmanuk.co.uk/purchase>

Should you have any queries about your furniture your first point of contact should be the retailer from whom you purchased your product

PLEASE KEEP ME WITH YOUR PROOF OF PURCHASE FOR FUTURE REFERENCE

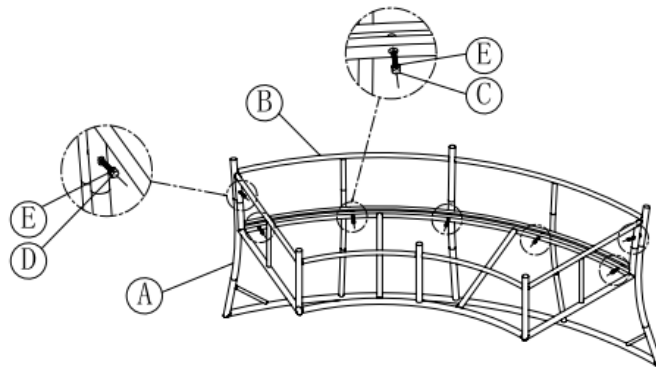


ASSEMBLY INSTRUCTIONS

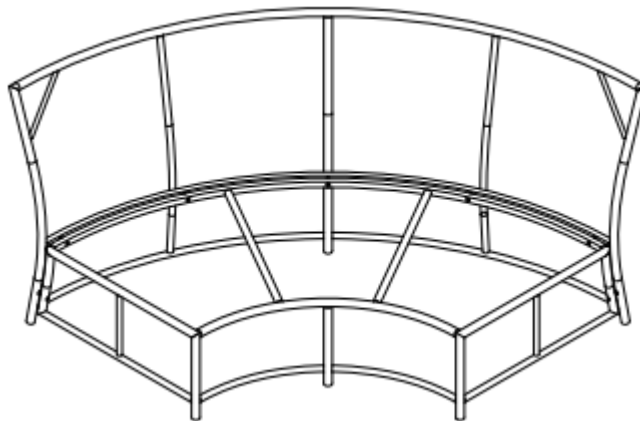
Heritage Grand Round Daybed Set

(68169145 / 68199146)

1



2



For replacement or lost spare parts please go to <http://spares.hartmanuk.co.uk/purchase>

Should you have any queries about your furniture your first point of contact should be the retailer from whom you purchased your product

PLEASE KEEP ME WITH YOUR PROOF OF PURCHASE FOR FUTURE REFERENCE

ATTENTION:

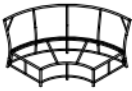


1. Please read these instructions carefully before assembly
2. Aluminium is soft metal and over tightening may strip thread or break the part
3. **DO NOT** use power tools
4. Please allow 30 minutes for assembly
5. Although assembly only requires 1 person it is advised that a 2nd person be present to help turn the sofa over and into position when fully assembled

ASSEMBLY STEPS:

1. Position part (A) and part (B) ready for assembly
2. With brackets (C) position over the section that adjoin parts (A) and (B)..
3. Turn sofas over and place in desired position.
4. Put all cushions on the sofa

For more information regarding maintenance of your furniture please visit

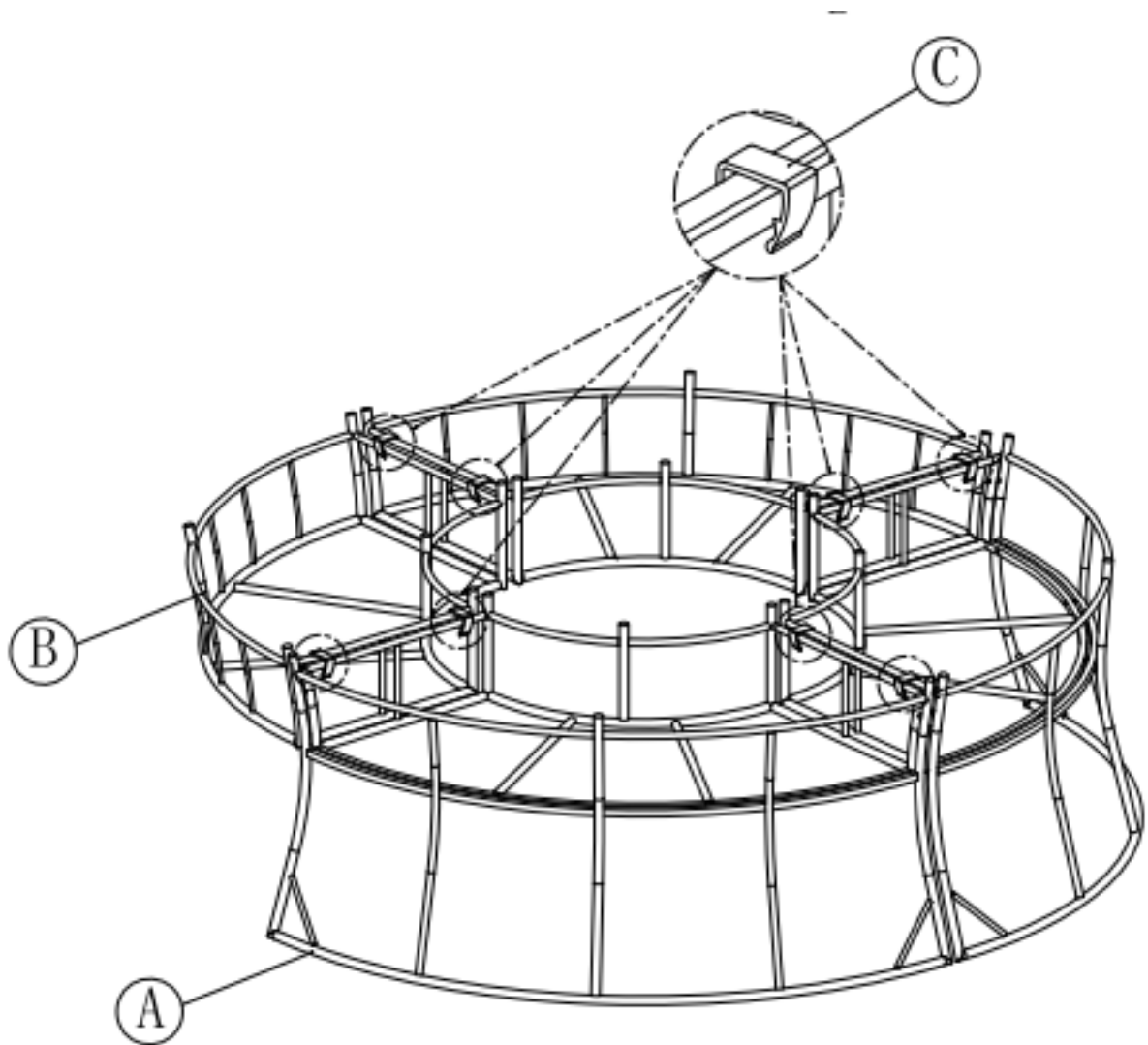
http://www.hartmanuk.co.uk/after_care_videos.html

Component's				Fixings					
Parts List	Parts Picture	Description	Q'ty	Part no	Parts list	Parts Picture	Description	Q'ty	Part no.
A		Sofa	2	68169145C 68199146C	C		Bracket	8	2002189
B		Bench	2	68169145D 68199146D					

For replacement or lost spare parts please go to <http://spares.hartmanuk.co.uk/purchase>

Should you have any queries about your furniture your first point of contact should be the retailer from whom you purchased your product

PLEASE KEEP ME WITH YOUR PROOF OF PURCHASE FOR FUTURE REFERENCE



For replacement or lost spare parts please go to <http://spares.hartmanuk.co.uk/purchase>

Should you have any queries about your furniture your first point of contact should be the retailer from whom you purchased your product

PLEASE KEEP ME WITH YOUR PROOF OF PURCHASE FOR FUTURE REFERENCE.



ASSEMBLY INSTRUCTIONS

Heritage Grand Round Adjustable Table

ATTENTION:

1. Please read these instructions carefully before assembly
2. Aluminium is a soft metal and over tightening may strip the thread or break the part
3. **DO NOT** use power tools
4. Please allow 30 minutes for assembly.
5. Although assembly only requires 1 person it is advised that a second person be present to help turn the table over and into position when fully assembled.

ASSEMBLY STEPS:







1. Place table top upside down on a clean surface.
2. Loosely attach leg (B) to the table top (A) using bolts (D) and washer (E)
3. Tighten all bolts using spanner (F)
4. Turn assembled table top over, place into base (C) gently push until it clicks into place
5. See instructions below for changing table height

For more information regarding maintenance of your furniture please visit

<https://www.hartmanuk.com/home>

ROUND ADJUSTABLE TABLE ADJUSTMENT INSTRUCTIONS:

1. For a round adjustable table, it is advised that two people are required to make the adjustment.
2. Place foot into the step at the bottom of the table base to stop the table from moving when making the adjustment.
3. Place hands on either side of the table top, and gently pull until you feel the table unclip from the base frame.
4. Lift the table top out of the base frame, rotate 90°, and gently place back into the base frame. You should now see that the table has been placed at a different height.
5. Holding the table top at either side, gently push until you feel it click back securely into the base frame.
6. Make sure the table top is securely and evenly in place before use. If the table top is not correctly in place, repeat steps 2 to 5 until you are happy the table top is secure and at your desired height.

Component's					Fixings				
Parts List	Parts Picture	Description	Q'ty	Part no	Parts list	Parts Picture	Description	Q'ty	Part no.
A		Table top	1	68168145A 68197146A	D		25mm*M6 bolts	4	1017162
					E		Big Flat washers	4	1061162
B		Connecting frame	1	68168145B 68197146B	F		Allen key	1	2100041
C		Base	1	68168145C 68197146C					

For replacement or lost spare parts please go to <http://spares.hartmanuk.co.uk/purchase>

Should you have any queries about your furniture your first point of contact should be the retailer from whom you purchased your product.

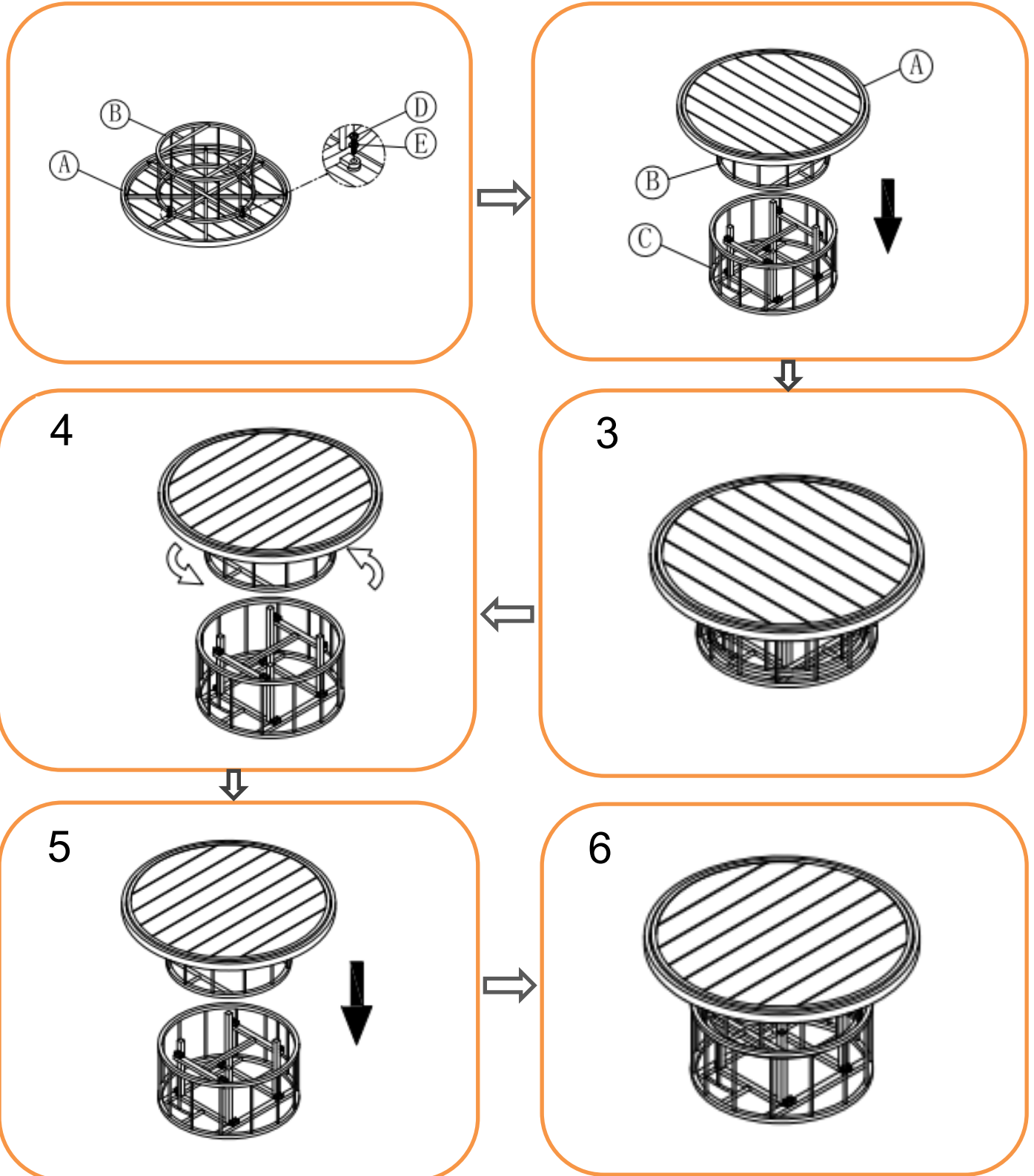
PLEASE KEEP ME WITH YOUR PROOF OF PURCHASE FOR FUTURE REFERENCE.



ASSEMBLY INSTRUCTIONS

Heritage Grand Round Adjustable Table

(68168145 / 68198146)



For replacement or lost spare parts please go to <http://spares.hartmanuk.co.uk/purchase>

Should you have any queries about your furniture your first point of contact should be the retailer from whom you purchased your product.