

PLEASE KEEP ME WITH YOUR PROOF OF PURCHASE FOR FUTURE REFERENCE.

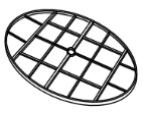







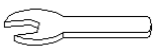

ATTENTION:

1. Please read through these instructions fully before assembly and stock check all parts against the parts list below
2. Aluminium is a soft metal and over tightening this may strip the thread or break the part
3. **DO NOT** use power tools
4. Please allow 30 minutes for assembly
5. Although assembly only requires 1 person it is advised that a second person be present to help turn the table over and into position when fully assembled.

ASSEMBLY STEPS:

1. Take glass (D) off the table top (A) (in case of breakage) turn the table top (A) upside down on a soft clean surface
2. **LOOSELY** attach legs (B) to the underside of the table top with bolts (E) and big flat washers (F) and small lock washer (G) using spanner (I)
3. **LOOSELY** attach panels (C) to the legs (B) with bolts (E) and big flat washers (F) and small lock washer (G) using spanner (I)
4. Attach side panel supports to underside of table using spanner (I) **DO NOT TIGHTEN THE BOLTS AT THIS STAGE**
5. Using the spanner, gradually tighten the bolts in turn. Do not over tighten any bolts as this will cause the thread to become damaged
6. Place Nut Caps (H) on all visible bolts (E)
7. Turn your assembled table over and position where required
8. Carefully place glass top (D) onto the table top and press down on suckers to ensure glass is secure then put parasol bung & cap (L) into the hole.
9. Don't forget your Warranty Registration with Hartmanuk.com

For more information regarding maintenance of your furniture and to register your warranty, please visit www.hartmanuk.com

Component's Beech Ref.68138145 or Ash Ref. 68119146					Fixings				
Parts List	Parts Picture	Description	QTY	Part no	Parts list	Parts Picture	Description	QTY	Part no.
A		Table Top	1	68138145A 68119146A	E		M6*30bolt	12	2002190
					F		Big Flat washers	12	1061162
B		Legs	2	68138145B 68119146B	G		Small Lock Washers	12	1221162
C		Panel	2	68138145C 68119146C	H		Nut Cap	12	1081162
D		Glass	1	68138145D 68119146D	I		Spanner	1	1020162
					J		Parasol bung & cap	1	2002180 2002181

For replacement or lost spare parts please go to <http://faq.hartmanuk.co.uk/spares/>

Should you have any queries about your furniture your first point of contact should be the retailer from whom you purchased your product.

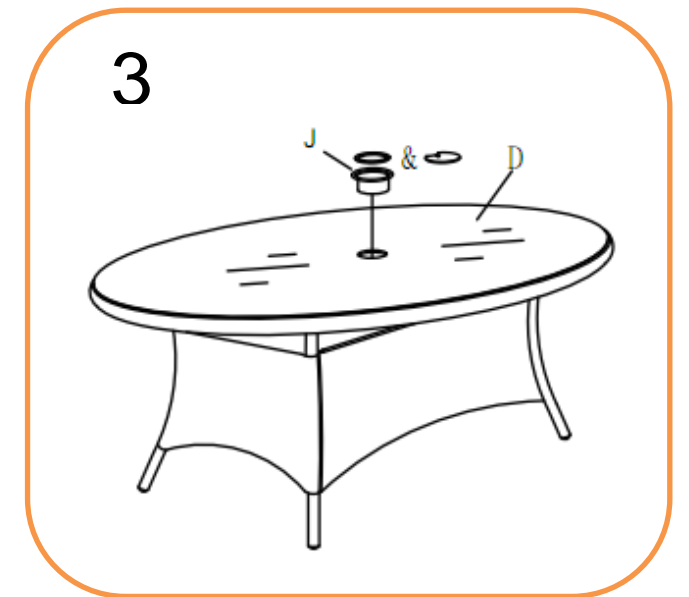
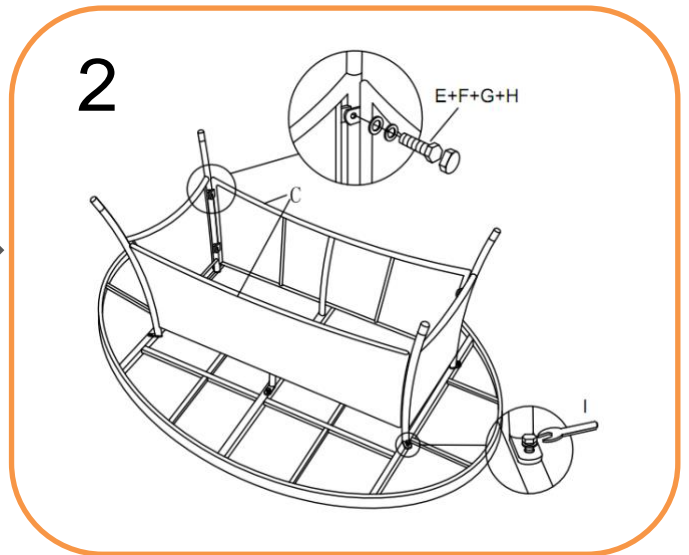
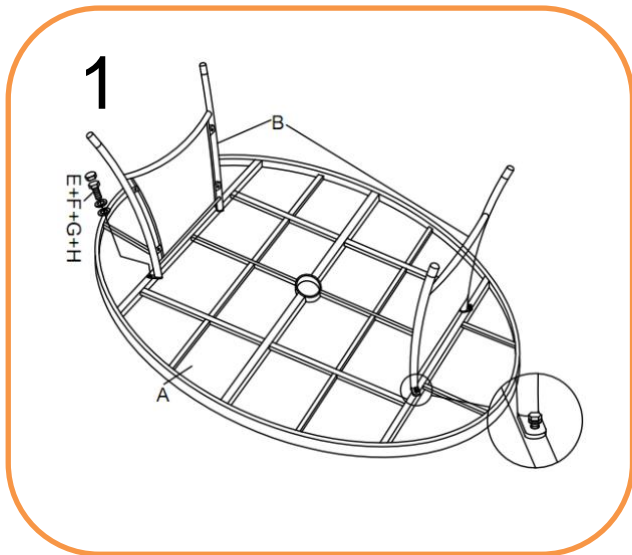
PLEASE KEEP ME WITH YOUR PROOF OF PURCHASE FOR FUTURE REFERENCE.



ASSEMBLY INSTRUCTIONS

Heritage 175x120cm Inlaid Elliptical Table CERAMIC

BEECH REF. 68138145 OR ASH REF.68119146



For replacement or lost spare parts please go to <http://faq.hartmanuk.co.uk/spares/>
Should you have any queries about your furniture your first point of contact should be the retailer from whom you purchased your product.