

PLEASE KEEP ME WITH YOUR PROOF OF PURCHASE FOR FUTURE REFERENCE



ASSEMBLY INSTRUCTIONS - Vienna Reclining Rectangular Casual Dining Set

69475002 / 68477002

ATTENTION:

















1. Please read these instructions carefully before assembly
2. Aluminium is soft metal and over tightening may strip thread or break the part
3. **DO NOT** use power tools
4. Please allow 30 minutes for assembly.
5. Although assembly only requires 1 person it is advised that a second person be present to help turn the seat unit over and into position when fully assembled

LEFT HAND SOFA ASSEMBLY STEPS:

1. Place part A, B and C on a soft clean surface and ready for assembly.
2. **LOOSELY** attach Left armrest (B) and Right leg frame (C) to the seating panel (A) with bolts (H), bolts (G) and small flat washers(J) using Allen key (P) **DO NOT TIGHTEN THE BOLTS AT THIS STAGE**
3. **LOOSELY** attach front crossing bar (D) to assembled legs with bolts (G) and small flat washers (J) using Allen key (P) **DO NOT TIGHTEN THE BOLTS AT THIS STAGE**
4. **LOOSELY** attach backrests (E) and (F) to seating part with bolts (K), locknut (M) and big flat washers (N) using spanner (O), bolts (H) and small flat washers (J) using Allen key (P)
5. Fix both ends of the gas spring to the seating part and backrest with bolts (L), locknut (M) and big flat washers (N) using spanner (O)
6. Tighten all bolts using spanner (O) and Allen key (P) one by one being careful not to over tighten any as this will cause the thread to become damaged
7. Turn assembled sofa over and place in desired position, then attach right backrest to right leg frame with bolt (I) and small flat washers (J) using Allen key (P).
8. Assembling is complete then put all cushions on the seat

For more information regarding maintenance of your furniture please visit

http://www.hartmanuk.co.uk/after_care_videos.html

Component's					Fixings				
Parts List	Parts Picture	Description	Q'ty	Part no	Parts list	Parts Picture	Description	Q'ty	Part no.
A		Seating Panel	1	69475002A	I		M6*60 bolts	1	2100061
B		LH armrest	1	69475002B	J		Small Flat washers	15	1241162
C		RH leg frame	1	69475002C	K		M8*30 bolts	2	2100062
D		Front crossing bar	1	69475002D	L		M8*50 bolts	2	2100063
E		Left Backrest	1	69475002E	M		Locknut	4	2002178
F		Right Backrest	1	69475002F	N		Big Flat washers	8	1061162
G		M6*20 bolts	6	1017162	O		Spanner	2	2100049
H		M6*35 bolts	8	1111162	P		Allen key	1	2002191

For replacement or lost spare parts please go to <http://faq.hartmanuk.co.uk/spares/>

Should you have any queries about your furniture your first point of contact should be the retailer from whom you purchased your product

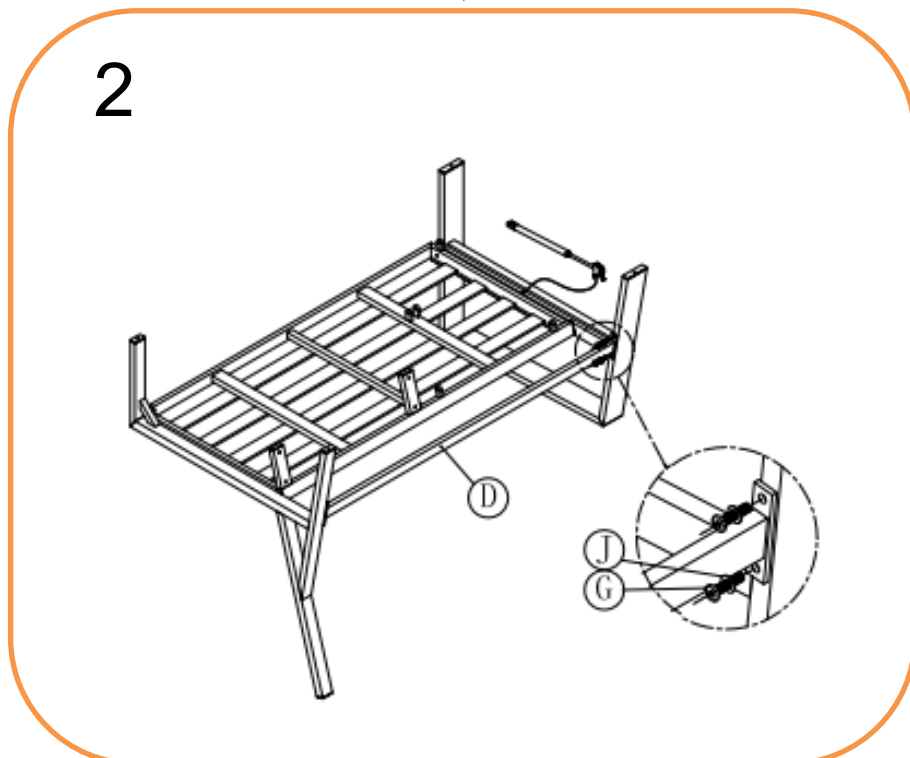
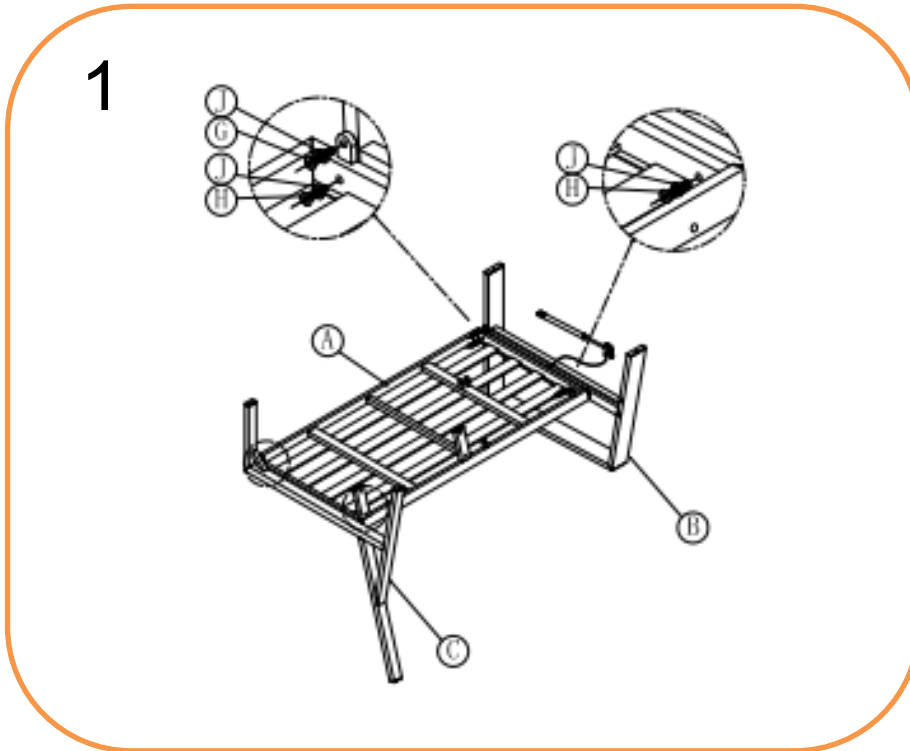
PLEASE KEEP ME WITH YOUR PROOF OF PURCHASE FOR FUTURE REFERENCE



ASSEMBLY INSTRUCTIONS

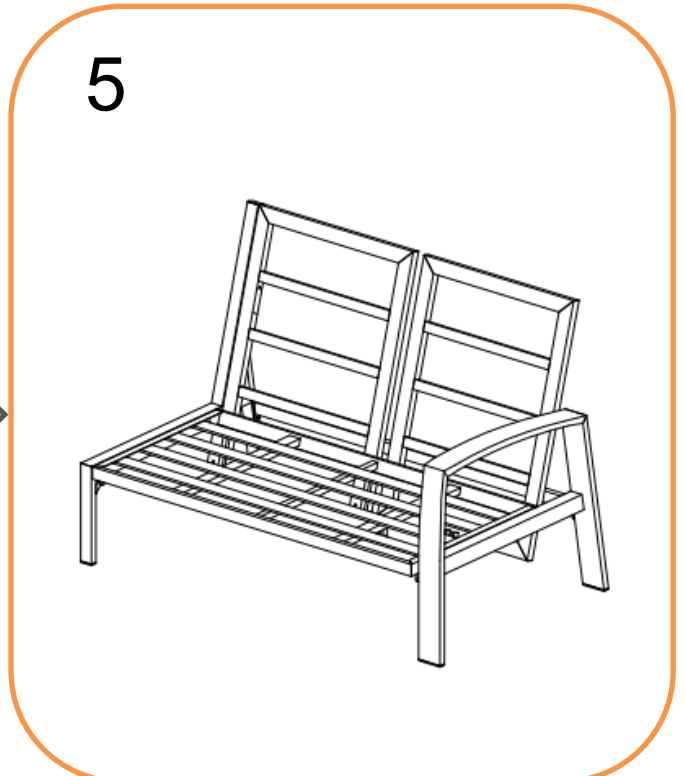
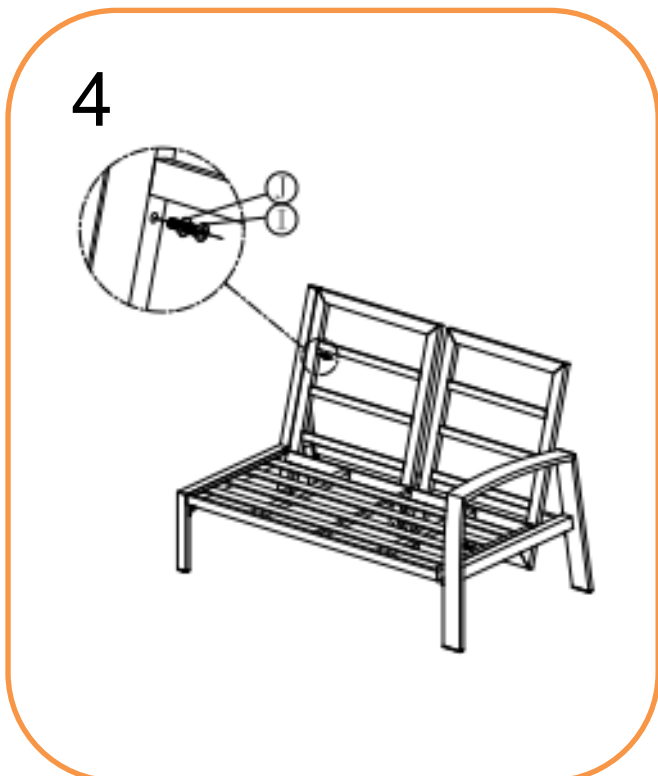
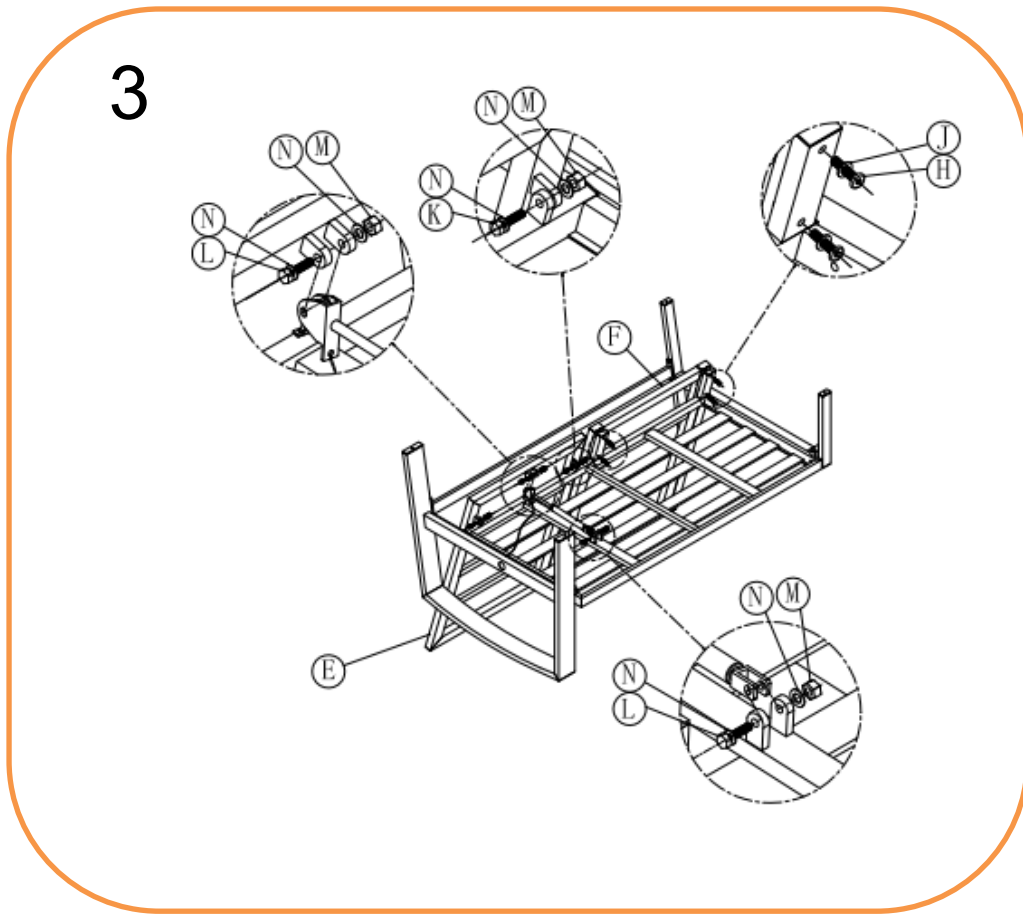
Vienna Reclining Rectangular Casual Dining Set

(69475002 / 68477002)



For replacement or lost spare parts please go to <http://faq.hartmanuk.co.uk/spares/>
Should you have any queries about your furniture your first point of contact should be the retailer from whom you purchased your product

PLEASE KEEP ME WITH YOUR PROOF OF PURCHASE FOR FUTURE REFERENCE



For replacement or lost spare parts please go to <http://faq.hartmanuk.co.uk/spares/>
Should you have any queries about your furniture your first point of contact should be the retailer from whom you purchased your product

PLEASE KEEP ME WITH YOUR PROOF OF PURCHASE FOR FUTURE REFERENCE

ATTENTION:

















1. Please read these instructions carefully before assembly
2. Aluminium is soft metal and over tightening may strip thread or break the part
3. **DO NOT** use power tools
4. Please allow 30 minutes for assembly.
5. Although assembly only requires 1 person it is advised that a second person be present to help turn the table over and into position when fully assembled

RIGHT HAND SOFA ASSEMBLY STEPS:

1. Place part AA, BB and CC on a soft clean surface and ready for assembly.
2. **LOOSELY** attach right armrest (BB) and left leg frame (CC) to the seating panel (AA) with bolts (H), bolts (G) and small flat washers(J) using Allen key (P) **DO NOT TIGHTEN THE BOLTS AT THIS STAGE**
3. **LOOSELY** attach front crossing bar (DD) to assembled legs with bolts (G) and small flat washers (J) using Allen key (P) **DO NOT TIGHTEN THE BOLTS AT THIS STAGE**
4. **LOOSELY** attach backrest (EE) and (FF) to seating part with bolts (K), locknut (M) and big flat washers (N) using spanner (O), bolts (H) and small flat washers (J) using Allen key (P)
5. Fix both ends of the gas spring to the seating part and backrest with bolts (L), locknut (M) and big flat washers (N) using spanner (O)
6. Tighten all bolts using spanner (O) and Allen key (P) one by one being careful not to over tighten any as this will cause the thread to become damaged
7. Turn assembled sofa over and place in desired position, then attach right backrest to right leg frame with bolt (I) and small flat washers (J) using Allen key (P).
8. Assembling is complete then put all cushions on the seat

For more information regarding maintenance of your furniture please visit

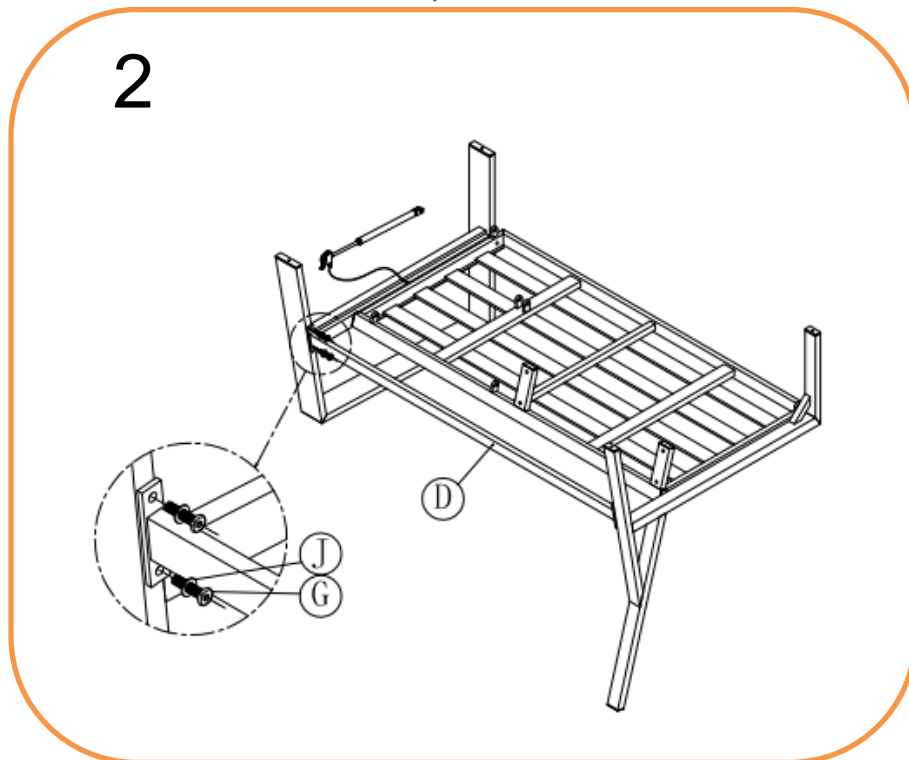
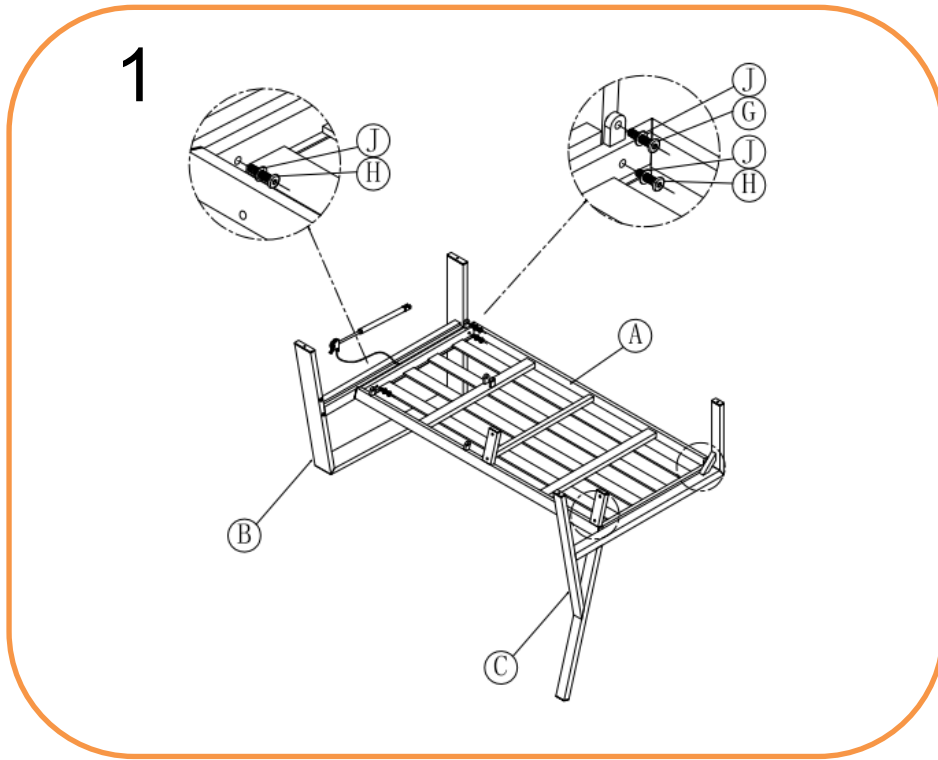
http://www.hartmanuk.co.uk/after_care_videos.html

Component's					Fixings				
Parts List	Parts Picture	Description	Q'ty	Part no	Parts list	Parts Picture	Description	Q'ty	Part no.
A		Seating Panel	1	69475002AA	I		M6*60 bolts	1	2100061
B		RH armrest	1	69475002BB	J		Small Flat washers	15	1241162
C		LH leg frame	1	69475002CC	K		M8*30 bolts	2	2100062
D		Front crossing bar	1	69475002DD	L		M8*50 bolts	2	2100063
E		Right Backrest	1	69475002EE	M		Locknut	4	
F		left Backrest	1	69475002FF	N		Big Flat washers	8	1061162
G		M6*20 bolts	6	1017162	O		Spanner	2	2100049
H		M6*35 bolts	8	1111162	P		Allen key	1	2002191

For replacement or lost spare parts please go to <http://faq.hartmanuk.co.uk/spares/>

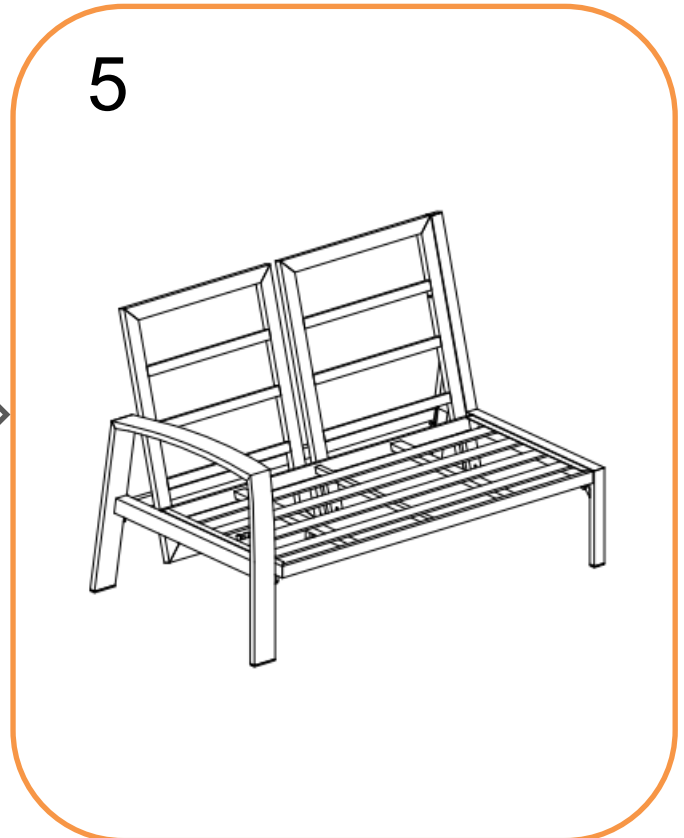
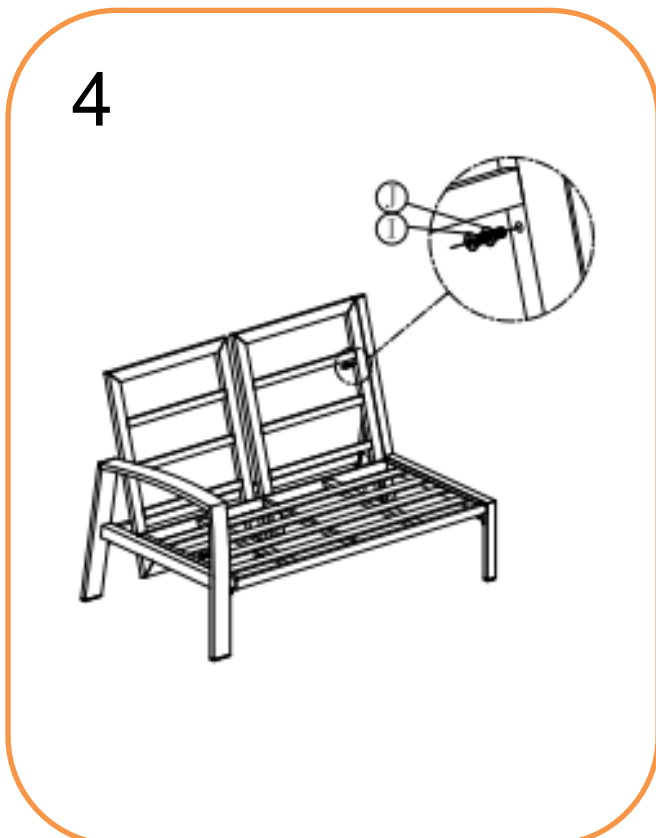
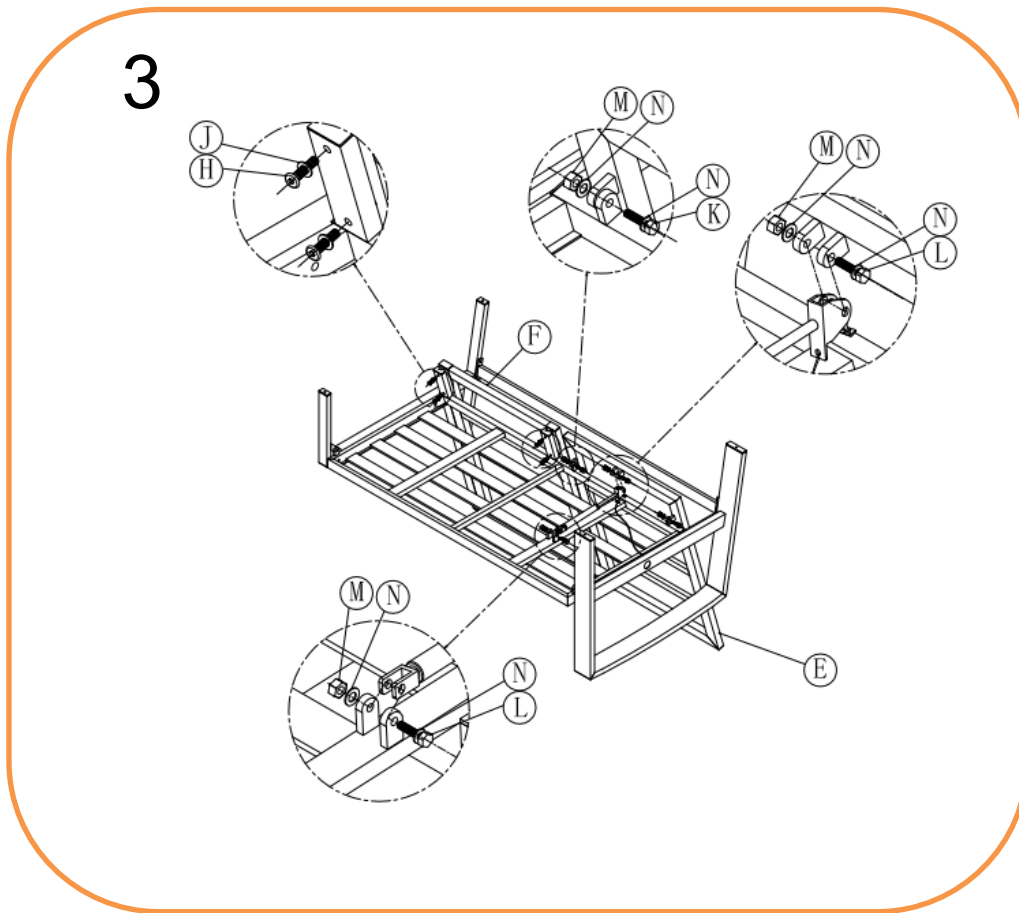
Should you have any queries about your furniture your first point of contact should be the retailer from whom you purchased your product

PLEASE KEEP ME WITH YOUR PROOF OF PURCHASE FOR FUTURE REFERENCE



For replacement or lost spare parts please go to <http://faq.hartmanuk.co.uk/spares/>
Should you have any queries about your furniture your first point of contact should be the retailer from whom you purchased your product

PLEASE KEEP ME WITH YOUR PROOF OF PURCHASE FOR FUTURE REFERENCE



For replacement or lost spare parts please go to <http://faq.hartmanuk.co.uk/spares/>
Should you have any queries about your furniture your first point of contact should be the retailer from whom you purchased your product

PLEASE KEEP ME WITH YOUR PROOF OF PURCHASE FOR FUTURE REFERENCE

ATTENTION:






1. Please read these instructions carefully before assembly
2. Aluminium is soft metal and over tightening may strip thread or break the part
3. **DO NOT** use power tools
4. Please allow 30 minutes for assembly.
5. Although assembly only requires 1 person it is advised that a second person be present to help turn the seat unit over and into position when fully assembled.

CORNER UNIT ASSEMBLY STEPS:

1. Position part (A), part (B), part (C) and part (D) ready for assembly
2. With Velcro straps (E) position over the section that adjoin parts (A), (B), (C) and (D) .
3. Place assembled sofa in desired position and put all cushions on the seat.

For more information regarding maintenance of your furniture please visit

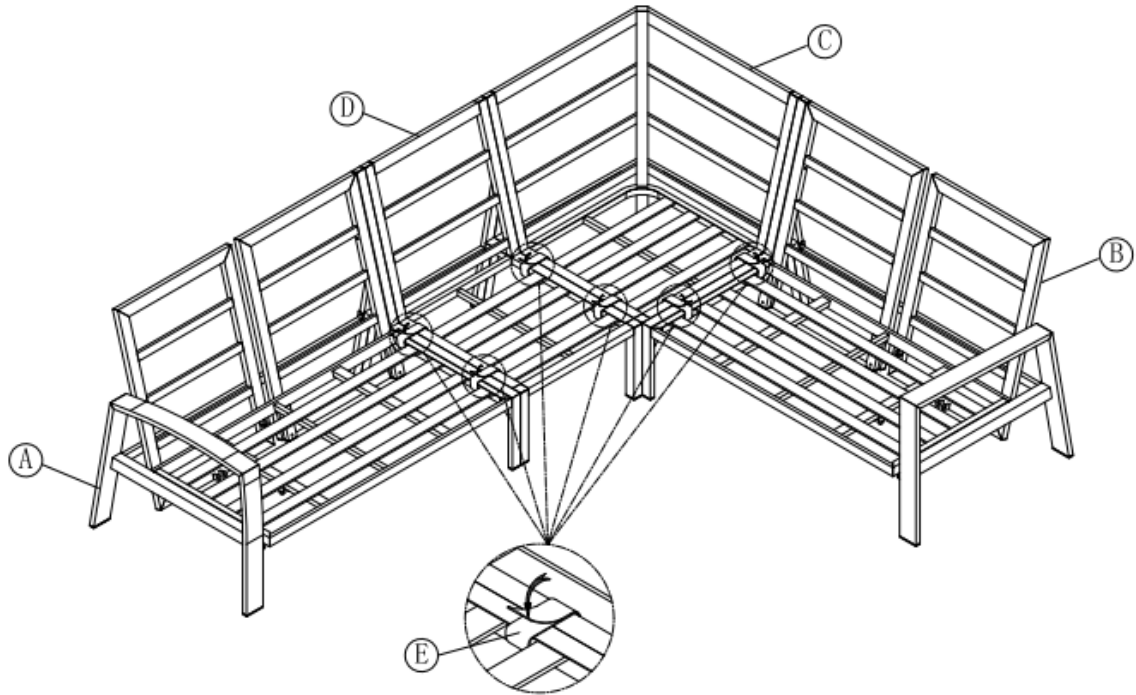
http://www.hartmanuk.co.uk/after_care_videos.html

Component's					Fixings				
Parts List	Parts Picture	Description	Q'ty	Part no	Parts list	Parts Picture	Description	Q'ty	Part no.
A		2-Seater RH	1	69475002RH	E		Velcro straps	6	2200011
B		2-Seater LH	1	69475002LH					
C		Corner	1	68477002CNR					
D		Middle	1	68477002MNR					

For replacement or lost spare parts please go to <http://faq.hartmanuk.co.uk/spares/>

Should you have any queries about your furniture your first point of contact should be the retailer from whom you purchased your product

PLEASE KEEP ME WITH YOUR PROOF OF PURCHASE FOR FUTURE REFERENCE



For replacement or lost spare parts please go to <http://faq.hartmanuk.co.uk/spares/>
Should you have any queries about your furniture your first point of contact should be the retailer from whom you purchased your product