

PLEASE KEEP ME WITH YOUR PROOF OF PURCHASE FOR FUTURE REFERENCE



ASSEMBLY INSTRUCTIONS

Sorrento/Bari 115cm Square Gas Firepit with Ceramic Top

(67009068 / 64513007)

ATTENTION:















1. Please read these instructions carefully before assembly
2. Aluminium is a soft metal and over tightening may strip the thread or break the part
3. **DO NOT** use power tools
4. Please allow 30 minutes for assembly
5. Although assembly only requires 1 person it is advised that a second person be present to help turn the table over and into position when fully assembled

ASSEMBLY STEPS:

1. Turn table top over and put onto a soft clean surface, be careful of the glass fixed on table top and no need to take out of the glass
2. **LOOSELY** attach Side panel 1 (B) and Side panel 2 (C) to table top (A) with bolts (K) and big flat washers (M) using Spanner (N) **DO NOT TIGHTEN THE BOLTS AT THIS STAGE**
3. **LOOSELY** attach rear panel (D) to Side panel 1 & 2 with bolts (K) and big flat washers (M) using Spanner (N)
4. **LOOSELY** attach bottom frame (E) to connecting bar (F) with bolts (K) and big flat washers (M) using Spanner (N)
5. **LOOSELY** attached assembled bottom frame to Side panel with bolts (L) and big flat washers (M) using Spanner (N)
6. Tighten all bolts one by one using spanner, being careful not to over tighten any as this will cause the thread to become damaged
7. Turn table top over and place in desired position, be careful of the glass fixed on table top while turning over the table
8. Open the door, connect the gas pipe then put the gas tank on the fixed bottom frame and close the door
9. Pour the bag of glass beads (H) into fire pit
10. Put the centre glass (G) on top of the fire pit
11. Fire guard: fix 4pc glass (I) onto the glass clips (J). Note: When installing the glass clips, the direction of the clip on the same piece of glass must be in reverse.
12. Put the assembled fire guard on the correct position on table top, the table is assembled completely.

For more information regarding maintenance of your furniture please visit

<https://www.hartmanuk.com/home>

Component's					Fixings				
Parts List	Parts Picture	Description	Q'ty	Part no	Parts list	Parts Picture	Description	Q' ty	Part no.
A		Table Top with Glass	1	67009068A 64513007A	H		Glass beads	1	67009068H 64513007H
B		Side panel 1 with door	1	67009068B 64513007B	I		Fire Guard Glass	4	67009068I 64513007I
C		Side panel 2	1	67009068C 64513007C	J		Glass clip	8	21000042
D		Rear panel	1	67009068D 64513007D	K		M6*25mm bolts	12	1231162
E		Bottom frame	1	67009068E 64513007E	L		M6*35mm bolts	4	2100040
F		Connecting bar	2	67009068F 64513007F	M		Flat washers	16	1061162
G		Centre glass	1	67009068G 64513007G	N		Spanner	1	2100041

For replacement or lost spare parts please go to <http://spares.hartmanuk.co.uk/purchase>

Should you have any queries about your furniture your first point of contact should be the retailer from whom you purchased your product

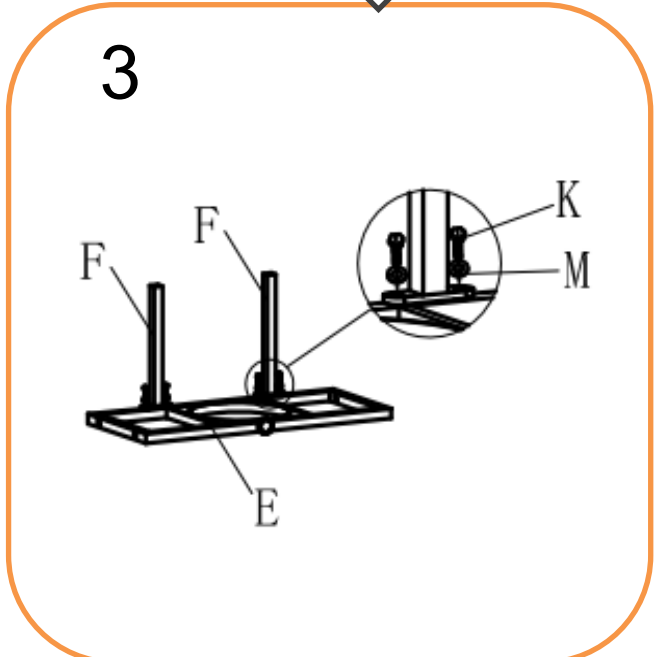
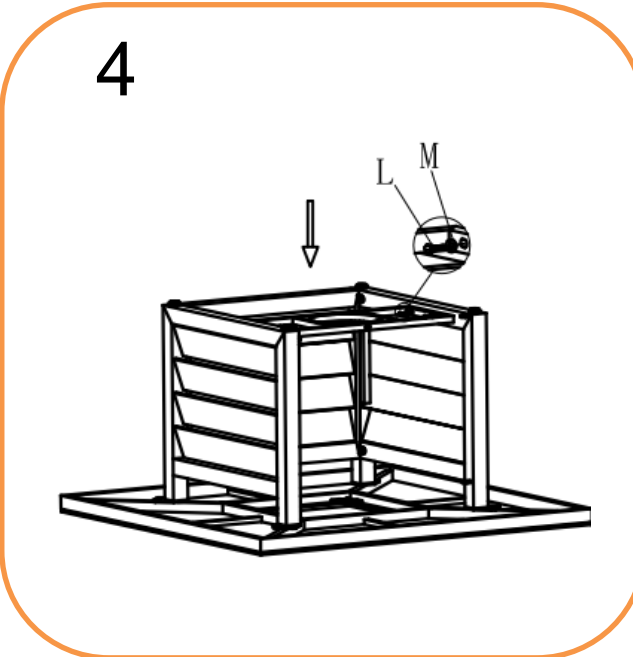
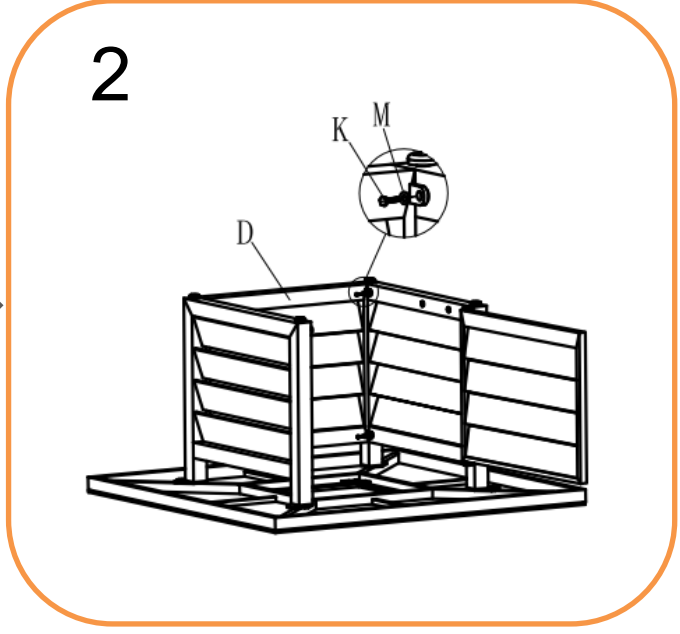
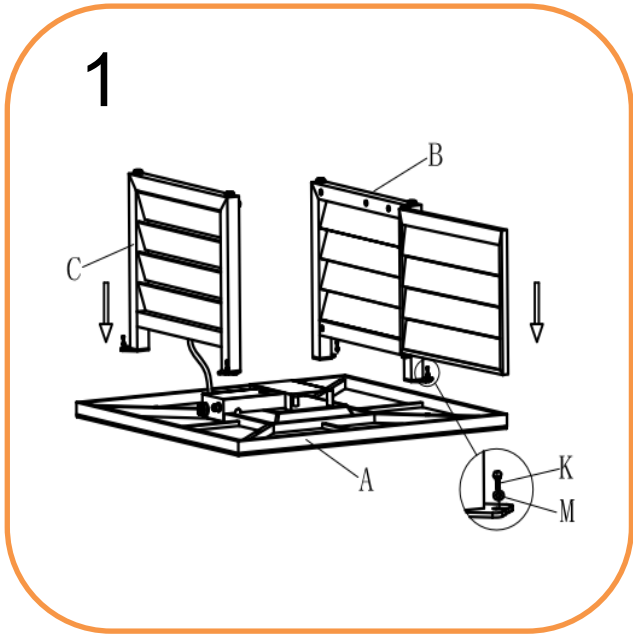
PLEASE KEEP ME WITH YOUR PROOF OF PURCHASE FOR FUTURE REFERENCE



ASSEMBLY INSTRUCTIONS

Sorrento/Bari 115cm Square Gas Firepit with Ceramic Top

(67009068 / 64513007)

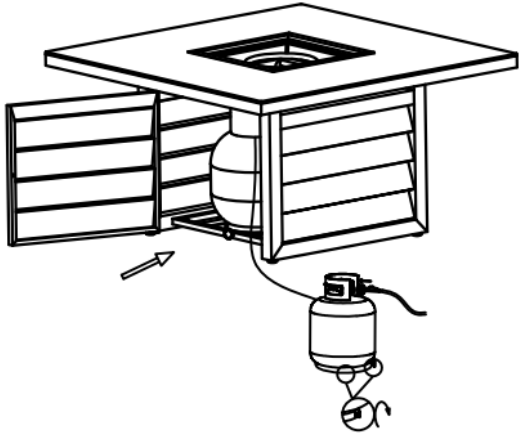


For replacement or lost spare parts please go to <http://spares.hartmanuk.co.uk/purchase>
Should you have any queries about your furniture your first point of contact should be the retailer from whom you purchased your product

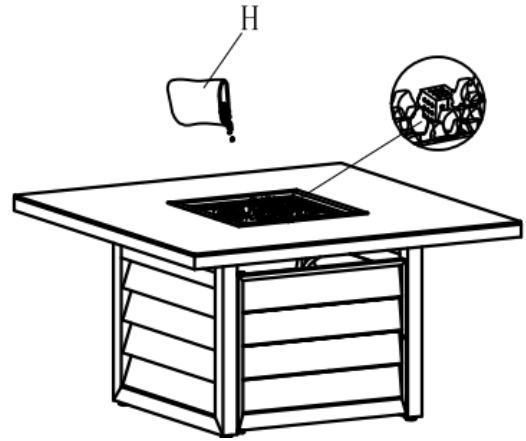
PLEASE KEEP ME WITH YOUR PROOF OF PURCHASE FOR FUTURE REFERENCE



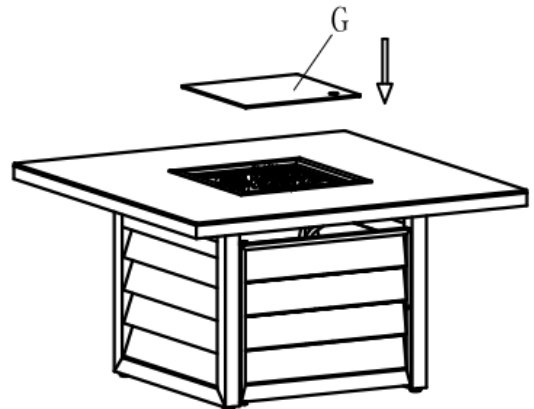
5



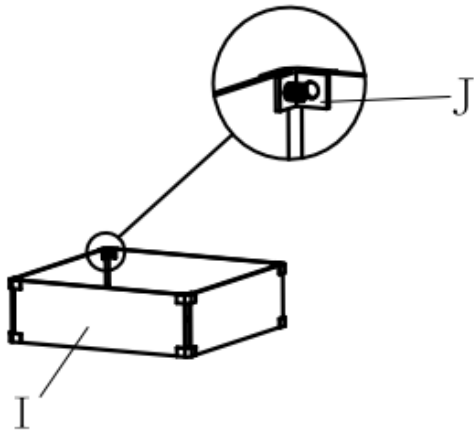
6



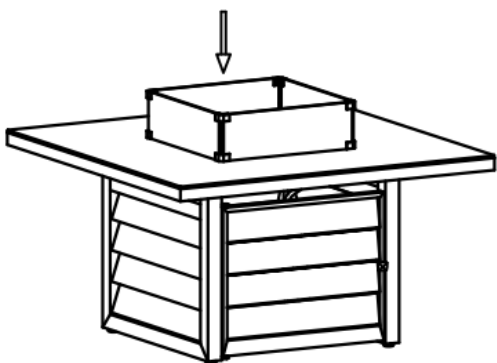
7



8



9



For more information, please visit spares.hartmanuk.co.uk/purchase
Should you require any further assistance, your first point of contact should be the retailer from whom you purchased your product

PLEASE KEEP ME WITH YOUR PROOF OF PURCHASE FOR FUTURE REFERENCE



ASSEMBLY INSTRUCTIONS

Sorrento Square Corner Casual Dining Set - Left and Right 2 Seaters plus Corner & Sorrento Middle Sofa

(67006068 / 67008068)

ATTENTION:




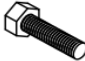


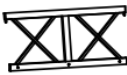



1. Please read these instructions carefully before assembly
2. Aluminium is a soft metal and over tightening may strip the thread or break the part
3. **DO NOT** use power tools
4. Please allow 30 minutes for assembly
5. Although assembly only requires 1 person it is advised that a second person be present to help turn the sofa over and into position when fully assembled

RH SOFA ASSEMBLY STEPS:

1. Position part (A), part (B) and part (C) ready for assembly
2. **LOOSELY** attach RH arm with leg frame (A) and LH leg frame (B) to seating section (C) using bolts (G) and flat washers (I) with the spanner (J) **DO NOT TIGHTEN BOLTS AT THIS STAGE.**
3. **LOOSELY** attach backrest (D) to assembled leg frames using bolts (H) and flat washers (I) with spanner (J) **DO NOT TIGHTEN BOLTS AT THIS STAGE.**
4. Tighten all bolts using the spanner (J)
5. Turn it over and place in desired position, then put all seat cushions (E) and back cushions (F) on the sofa

For more information regarding maintenance of your furniture please visit

<https://www.hartmanuk.com/home>

Component's				Fixings					
Parts List	Parts Picture	Description	Q'ty		Parts list	Parts Picture	Description	Q'ty	
A		RH arm with leg frame	1	67006068A	F		Back cushion	2	67006068 F
B		LH leg frame	1	67006068B	G		M6*35 bolts	7	2100040
C		Seating section	1	67006068C	H		M6*25 bolts	2	1231162
D		Backrest	1	67006068D	I		Flat washers	9	1061162
E		Seat cushion	2	67006068E	J		Spanner	1	2100041

For replacement or lost spare parts please go to <http://spares.hartmanuk.co.uk/purchase>

Should you have any queries about your furniture your first point of contact should be the retailer from whom you purchased your product

PLEASE KEEP ME WITH YOUR PROOF OF PURCHASE FOR FUTURE REFERENCE

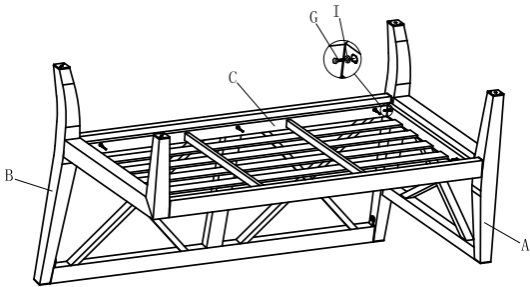


ASSEMBLY INSTRUCTIONS

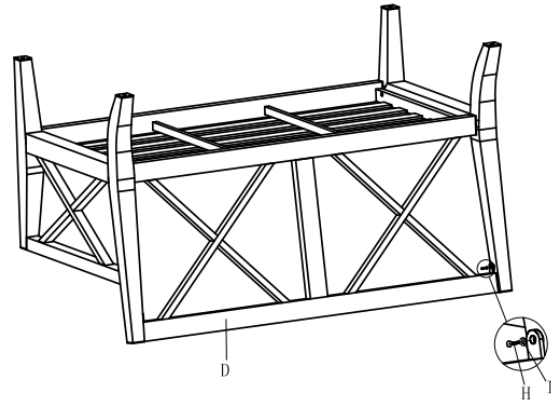
Sorrento Square Corner Casual Dining Set Right Hand 2 Seaters Sofa

(67006068 / 67008068)

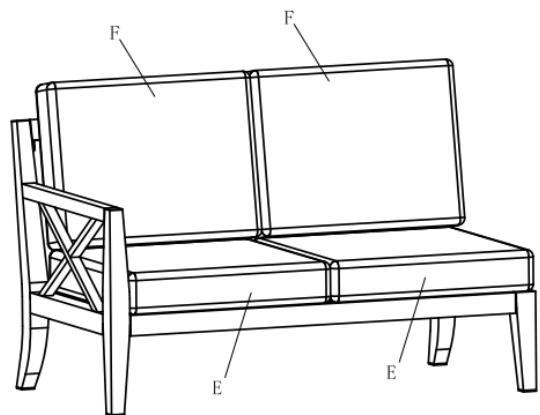
1



2



3



For replacement or lost spare parts please go to <http://spares.hartmanuk.co.uk/purchase>

Should you have any queries about your furniture your first point of contact should be the retailer from whom you purchased your product

PLEASE KEEP ME WITH YOUR PROOF OF PURCHASE FOR FUTURE REFERENCE

ATTENTION:




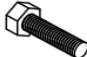


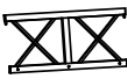



1. Please read these instructions carefully before assembly
2. Aluminium is soft metal and over tightening may strip thread or break the part
3. **DO NOT** use power tools
4. Please allow 30 minutes for assembly
5. Although assembly only requires 1 person it is advised that a second person be present to help turn the sofa over and into position when fully assembled

LH SOFA ASSEMBLY STEPS:

1. Position part (A), part (B) and part (C) ready for assembly
2. **LOOSELY** attach RH leg frame (A) and LH arm with leg frame (B) to seating section (C) using bolts (G) and flat washers (I) with the spanner (J) **DO NOT TIGHTEN BOLTS AT THIS STAGE.**
3. **LOOSELY** attach backrest (D) to assembled leg frames using bolts (H) and flat washers (I) with spanner (J) **DO NOT TIGHTEN BOLTS AT THIS STAGE.**
4. Tighten all bolts using the spanner (J)
5. Turn it over and place in desired position, then put all seat cushions (E) and back cushions (F) on the sofa

For more information regarding maintenance of your furniture please visit

<https://www.hartmanuk.com/home>

Component's					Fixings				
Parts List	Parts Picture	Description	Q'ty	Part no	Parts list	Parts Picture	Description	Q'ty	Part no.
A		RH leg frame	1	67006068A1	F		Back cushion	2	67006068 F
B		LH arm with leg frame	1	67006068B1	G		M6*35 bolts	7	2100040
C		Seating section	1	67006068C	H		M6*25 bolts	2	1231162
D		Backrest	1	67006068D	I		Flat washers	9	1061162
E		Seat cushion	2	67006068E	J		Spanner	1	2100041

For replacement or lost spare parts please go to <http://spares.hartmanuk.co.uk/purchase>

Should you have any queries about your furniture your first point of contact should be the retailer from whom you purchased your product

PLEASE KEEP ME WITH YOUR PROOF OF PURCHASE FOR FUTURE REFERENCE

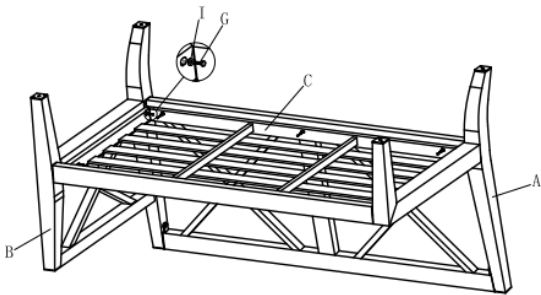


ASSEMBLY INSTRUCTIONS

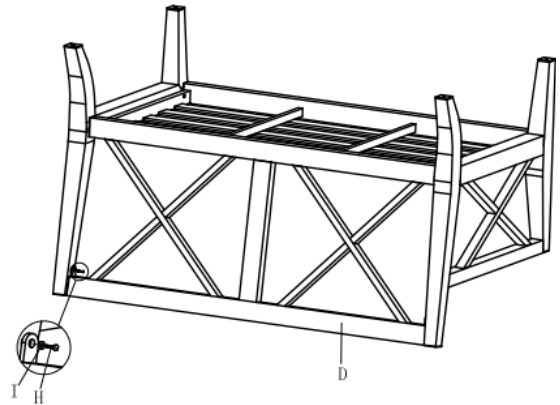
Sorrento Square Corner Casual Dining Set Left Hand 2 Seaters Sofa

(67006068 / 67008068)

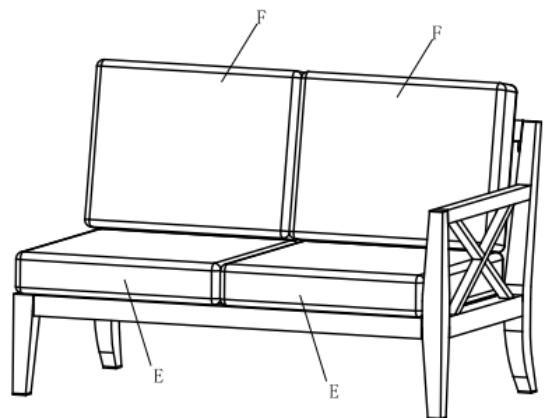
1



2



3



For replacement or lost spare parts please go to <http://spares.hartmanuk.co.uk/purchase>

Should you have any queries about your furniture your first point of contact should be the retailer from whom you purchased your product

PLEASE KEEP ME WITH YOUR PROOF OF PURCHASE FOR FUTURE REFERENCE

ATTENTION:




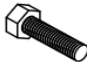







1. Please read these instructions carefully before assembly
2. Aluminium is soft metal and over tightening may strip thread or break the part
3. **DO NOT** use power tools
4. Please allow 30 minutes for assembly
5. Although assembly only requires 1 person it is advised that a second person be present to help turn the sofa over and into position when fully assembled

CORNER SOFA UNIT ASSEMBLY STEPS:

1. Position part (A), part (B) and part (C) ready for assembly
2. **LOOSELY** attach RH Leg frame (A) and LH arm with leg frame (B) to seating section (C) using bolts (H) and flat washers (J) with spanner (K) **DO NOT TIGHTEN BOLTS AT THIS STAGE.**
3. **LOOSELY** attach backrest (D) to assembled leg frames using bolts (I) and flat washers (J) with spanner (K) **DO NOT TIGHTEN BOLTS AT THIS STAGE.**
4. Tighten all bolts using the spanner (K)
5. Turn it over and place in desired position, then put all seat cushion (E), back cushion (F) and side cushion(G) on the sofa

For more information regarding maintenance of your furniture please visit

<https://www.hartmanuk.com/home>

Component's					Fixings				
Parts List	Parts Picture	Description	Q'ty	Part no	Parts list	Parts Picture	Description	Q'ty	Part no.
A		RH leg frame	1	67006068A1	G		Side cushion	1	67006068 G
B		LH arm with leg frame	1	67006068B1	H		M6*35 bolts	6	2100040
C		Seating section	1	67006068C1	I		M6*25 bolts	2	1231162
D		Backrest	1	67008068D1	J		Flat washers	8	1061162
E		Seat cushion	1	67006068E	K		Spanner	1	2100041
F		Back cushion	1	670086068F					

For replacement or lost spare parts please go to <http://spares.hartmanuk.co.uk/purchase>

Should you have any queries about your furniture your first point of contact should be the retailer from whom you purchased your product

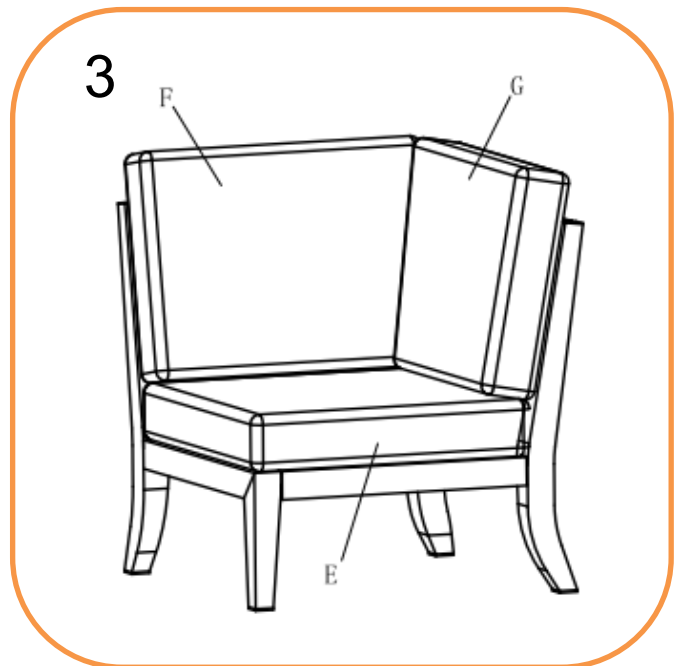
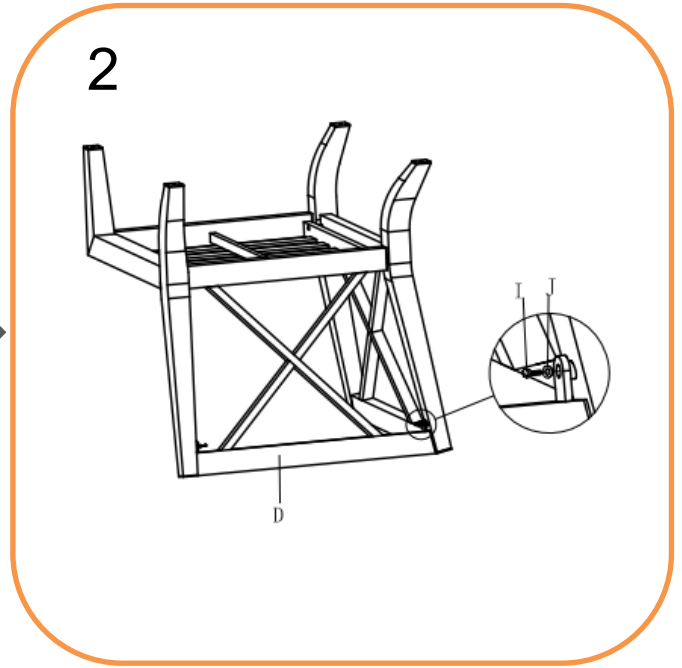
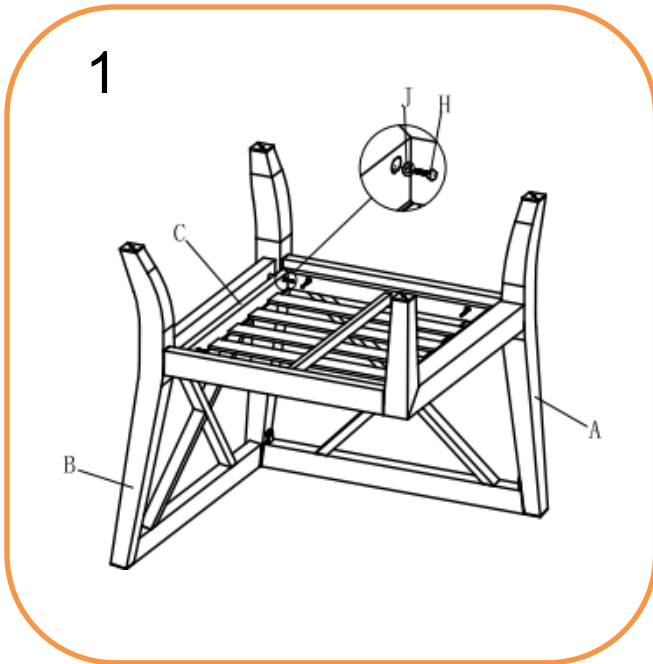
PLEASE KEEP ME WITH YOUR PROOF OF PURCHASE FOR FUTURE REFERENCE



ASSEMBLY INSTRUCTIONS

Sorrento Square Corner Casual Dining Set Corner Sofa

(67006068 / 67008068)



For replacement or lost spare parts please go to <http://spares.hartmanuk.co.uk/purchase>

Should you have any queries about your furniture your first point of contact should be the retailer from whom you purchased your product

PLEASE KEEP ME WITH YOUR PROOF OF PURCHASE FOR FUTURE REFERENCE

ATTENTION:

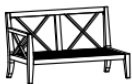


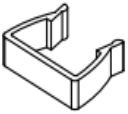

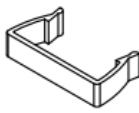
1. Please read these instructions carefully before assembly
2. Aluminium is soft metal and over tightening may strip thread or break the part
3. **DO NOT** use power tools
4. Please allow 30 minutes for assembly
5. Although assembly only requires 1 person it is advised that a second person be present to help turn the sofa over and into position when fully assembled

ASSEMBLY STEPS:

1. Position part (A), part (B), part (C) and part (D) ready for assembly
2. With brackets (E) and (F) position over the section that adjoin parts (A), (B), (C) and (D).
3. Turn sofas over and place in desired position.
4. Put all cushions on the sofa

For more information regarding maintenance of your furniture please visit

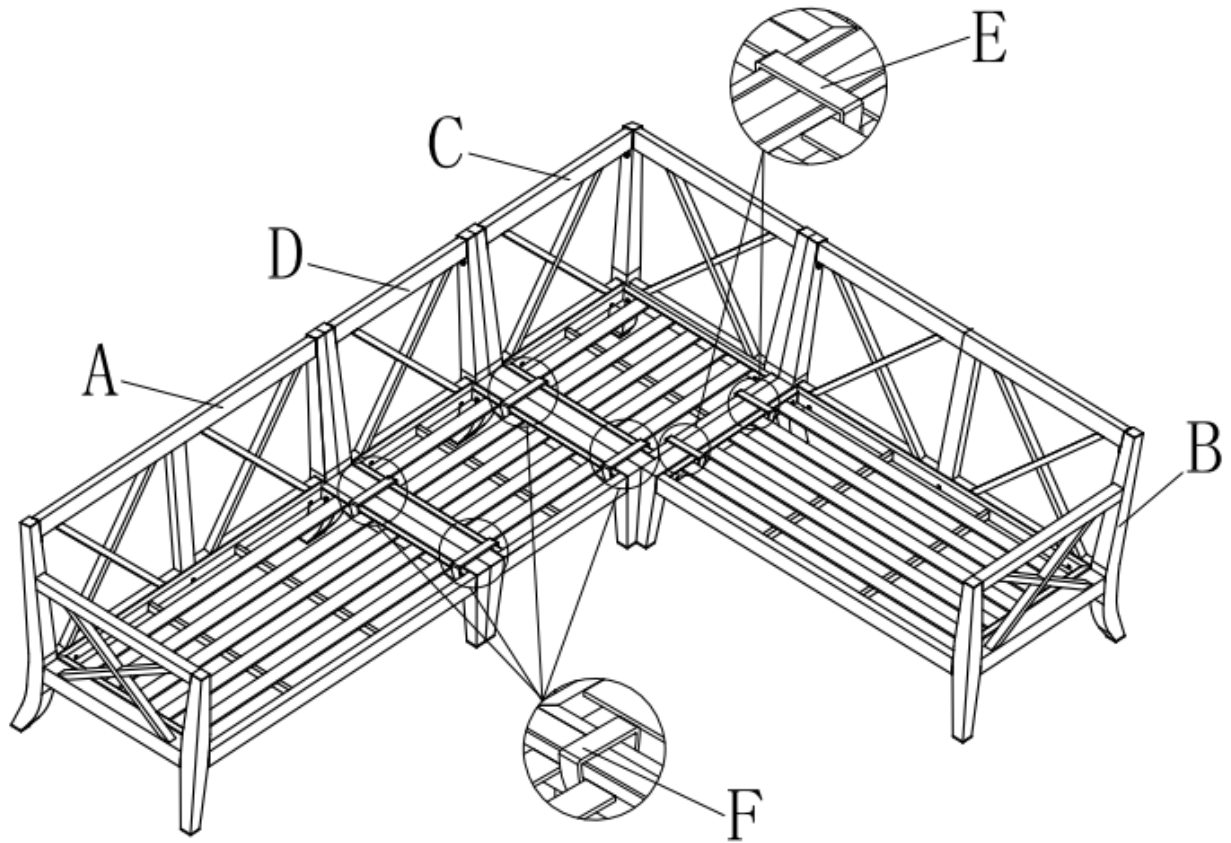
http://www.hartmanuk.co.uk/after_care_videos.html

Component's				Fixings					
Parts List	Parts Picture	Description	Q'ty	Part no	Parts list	Parts Picture	Description	Q'ty	Part no.
A		RH Sofa	1		D		Middle sofa	1	
B		LH Sofa	1		E		Bracket	2	2100103
C		Corner sofa	1		F		Bracket	4	2100104

For replacement or lost spare parts please go to <http://spares.hartmanuk.co.uk/purchase>

Should you have any queries about your furniture your first point of contact should be the retailer from whom you purchased your product

PLEASE KEEP ME WITH YOUR PROOF OF PURCHASE FOR FUTURE REFERENCE



For replacement or lost spare parts please go to <http://spares.hartmanuk.co.uk/purchase>

Should you have any queries about your furniture your first point of contact should be the retailer from whom you purchased your product

PLEASE KEEP ME WITH YOUR PROOF OF PURCHASE FOR FUTURE REFERENCE



ASSEMBLY INSTRUCTIONS

Sorrento Lounge Chair

(67005068 / 67001068)

ATTENTION:


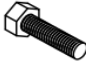








1. Please read these instructions carefully before assembly
2. Aluminium is soft metal and over tightening may strip thread or break the part
3. **DO NOT** use power tools
4. Please allow 30 minutes for assembly
5. Although assembly only requires 1 person it is advised that a second person be present to help turn the sofa over and into position when fully assembled

ASSEMBLY STEPS:

1. Position part (A), part (B) and part (C) ready for assembly
2. **LOOSELY** attach RH arm with leg frame (A) and LH arm with leg frame (B) to seating section (C) using bolts (G) and flat washers (I) with the spanner (J) **DO NOT TIGHTEN BOLTS AT THIS STAGE.**
3. **LOOSELY** attach backrest (D) to assembled leg frames using bolts (H) and flat washers (I) with the spanner (J) **DO NOT TIGHTEN BOLTS AT THIS STAGE.**
4. Tighten all bolts using the spanner (J)
5. Turn it over and place in desired position, then put all seat cushion (E) and back cushion (F) on the sofa

For more information regarding maintenance of your furniture please visit

<https://www.hartmanuk.com/home>

Component's				Fixings					
Parts List	Parts Picture	Description	Q'ty	Part no	Parts list	Parts Picture	Description	Q'ty	Part no.
A		RH arm with leg frame	1	67005068A	G		M6*35 bolts	6	2100040
B		LH arm with leg frame	1	67005068B	H		M6*25 bolts	2	1231162
C		Seating section	1	67005068C	I		Flat washers	8	1061162
D		Backrest	1	67005068D	J		Spanner	1	2100041
E		Seat cushion	1	67005068E					
F		Back cushion	1	67005068F					

For replacement or lost spare parts please go to <http://spares.hartmanuk.co.uk/purchase>

Should you have any queries about your furniture your first point of contact should be the retailer from whom you purchased your product

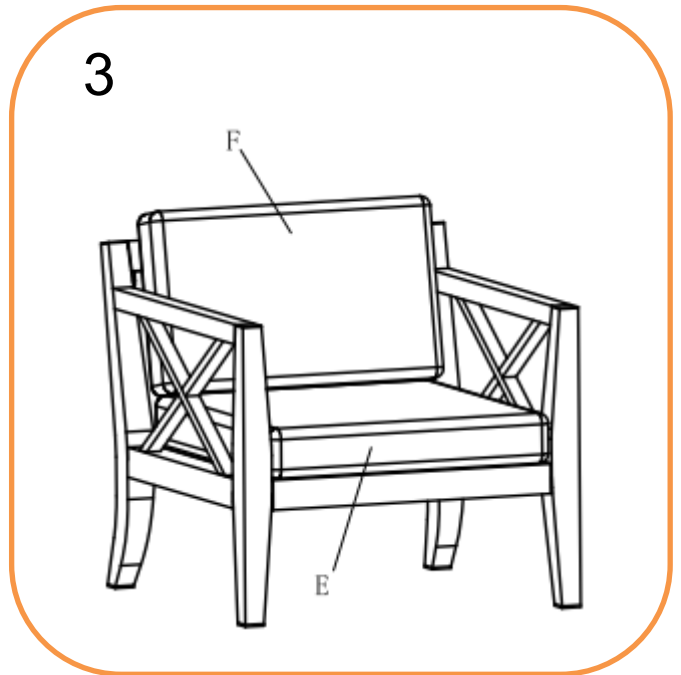
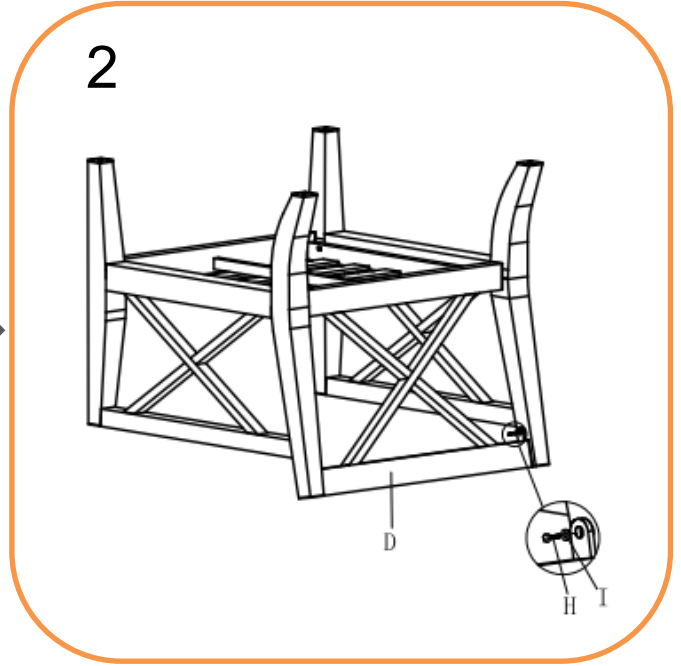
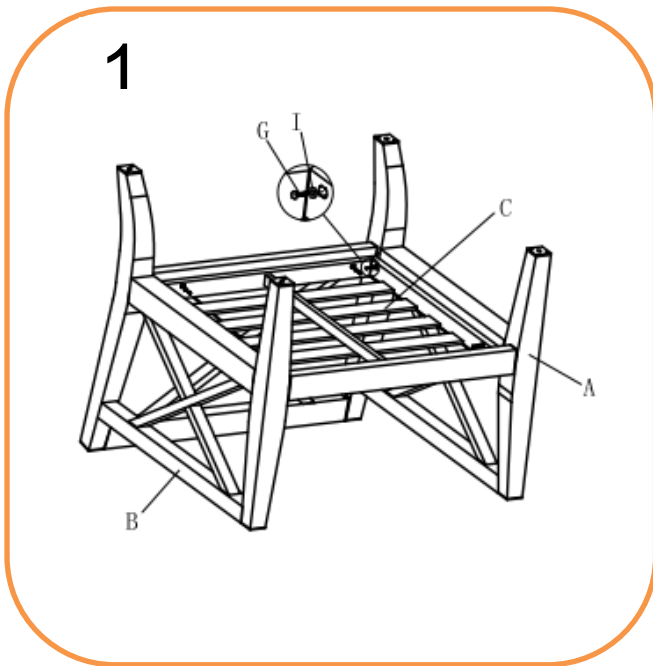
PLEASE KEEP ME WITH YOUR PROOF OF PURCHASE FOR FUTURE REFERENCE



ASSEMBLY INSTRUCTIONS

Sorrento Lounge Chair

(67005068 / 67001068)



For replacement or lost spare parts please go to <http://spares.hartmanuk.co.uk/purchase>

Should you have any queries about your furniture your first point of contact should be the retailer from whom you purchased your product