

PLEASE KEEP ME WITH YOUR PROOF OF PURCHASE FOR FUTURE REFERENCE



## ASSEMBLY INSTRUCTIONS

### Sorrento 88cm Square Ceramic Coffee Table

( 67007068 )

#### ATTENTION:


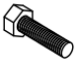





1. Please read these instructions carefully before assembly
2. Aluminium is soft metal and over tightening may strip thread or break the part
3. **DO NOT** use power tools
4. Please allow 30 minutes for assembly
5. Although assembly only requires 1 person it is advised that a second person be present to help turn the sofa over and into position when fully assembled

#### ASSEMBLY STEPS:

1. Place glass in safe place whilst assembling table
2. Turn the table top (B) upside down on a soft clean surface
3. **LOOSELY** attach leg (A) to table top (B) using bolts (E) and flat washers (F) with spanner (G) **DO NOT TIGHTEN BOLTS AT THIS STAGE.**
4. With bolts (E) and flat washers (F) **LOOSELY** attach connecting bar (C) with spanner (G) to assembled leg frames **DO NOT TIGHTEN BOLTS AT THIS STAGE.**
5. Tighten all bolts using the spanner (G)
6. Turn it over and place in desired position, then put glass (D) on the table

For more information regarding maintenance of your furniture please visit

<https://www.hartmanuk.com/home>

Component's					Fixings				
Parts List	Parts Picture	Description	Q'ty	Part no	Parts list	Parts Picture	Description	Q'ty	Part no.
A		Leg	2	67007068A	E		M6*25 bolts	8	1231162
B		Table top	1	67007068B	F		Flat washers	8	1061162
C		Connecting bar	1	67007068C	G		Spanner	1	2100041
D		Glass	1	67007068D					

For replacement or lost spare parts please go to <http://spares.hartmanuk.co.uk/purchase>

**Should you have any queries about your furniture your first point of contact should be the retailer from whom you purchased your product**

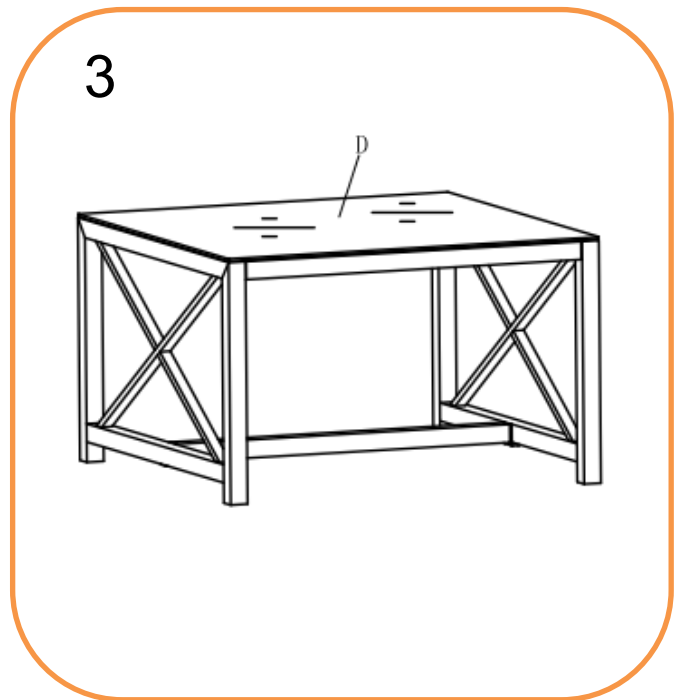
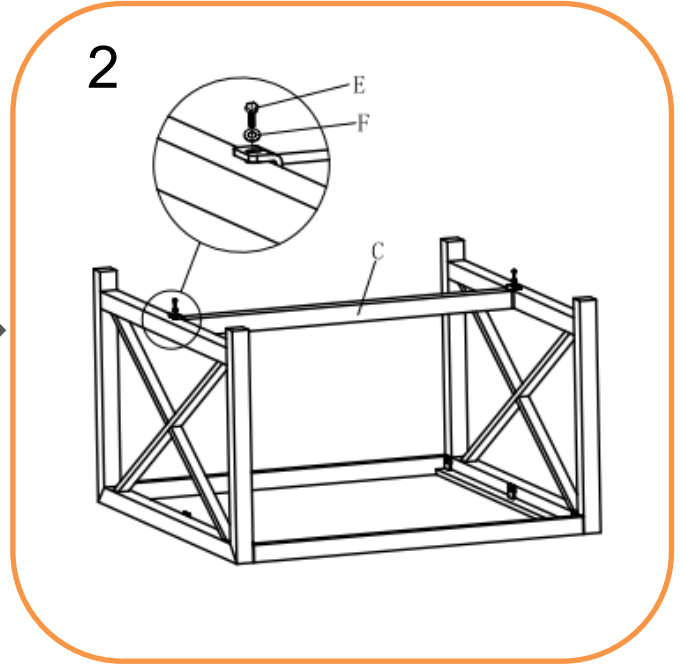
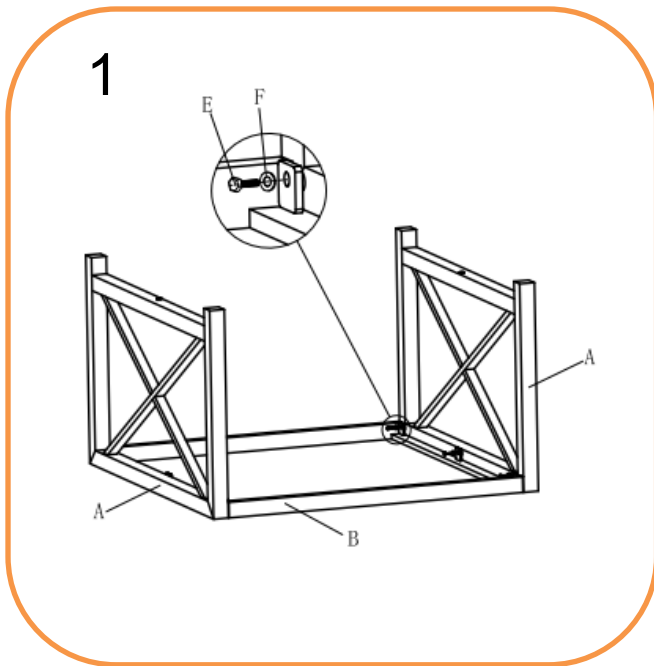
PLEASE KEEP ME WITH YOUR PROOF OF PURCHASE FOR FUTURE REFERENCE



**ASSEMBLY INSTRUCTIONS**

**Sorrento 88cm Square Ceramic Coffee Table**

( 67007068 )



For replacement or lost spare parts please go to <http://spares.hartmanuk.co.uk/purchase>

**Should you have any queries about your furniture your first point of contact should be the retailer from whom you purchased your product**

PLEASE KEEP ME WITH YOUR PROOF OF PURCHASE FOR FUTURE REFERENCE



## ASSEMBLY INSTRUCTIONS

### Sorrento Square Corner Casual Dining Set - Left and Right 2 Seaters plus Corner & Sorrento Middle Sofa

( 67006068 / 67008068 )

#### ATTENTION:







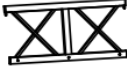



1. Please read these instructions carefully before assembly
2. Aluminium is a soft metal and over tightening may strip the thread or break the part
3. **DO NOT** use power tools
4. Please allow 30 minutes for assembly
5. Although assembly only requires 1 person it is advised that a second person be present to help turn the sofa over and into position when fully assembled

#### RH SOFA ASSEMBLY STEPS:

1. Position part (A), part (B) and part (C) ready for assembly
2. **LOOSELY** attach RH arm with leg frame (A) and LH leg frame (B) to seating section (C) using bolts (G) and flat washers (I) with the spanner (J) **DO NOT TIGHTEN BOLTS AT THIS STAGE.**
3. **LOOSELY** attach backrest (D) to assembled leg frames using bolts (H) and flat washers (I) with spanner (J) **DO NOT TIGHTEN BOLTS AT THIS STAGE.**
4. Tighten all bolts using the spanner (J)
5. Turn it over and place in desired position, then put all seat cushions (E) and back cushions (F) on the sofa

For more information regarding maintenance of your furniture please visit

<https://www.hartmanuk.com/home>

Component's				Fixings					
Parts List	Parts Picture	Description	Q'ty		Parts list	Parts Picture	Description	Q'ty	
A		RH arm with leg frame	1	67006068A	F		Back cushion	2	67006068 F
B		LH leg frame	1	67006068B	G		M6*35 bolts	7	2100040
C		Seating section	1	67006068C	H		M6*25 bolts	2	1231162
D		Backrest	1	67006068D	I		Flat washers	9	1061162
E		Seat cushion	2	67006068E	J		Spanner	1	2100041

For replacement or lost spare parts please go to <http://spares.hartmanuk.co.uk/purchase>

Should you have any queries about your furniture your first point of contact should be the retailer from whom you purchased your product

PLEASE KEEP ME WITH YOUR PROOF OF PURCHASE FOR FUTURE REFERENCE

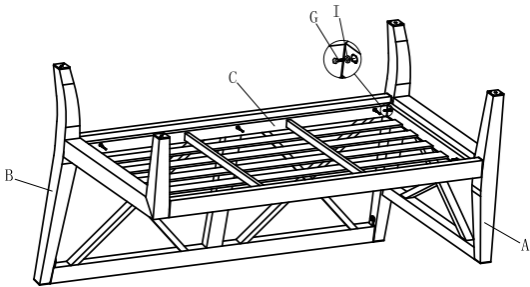


**ASSEMBLY INSTRUCTIONS**

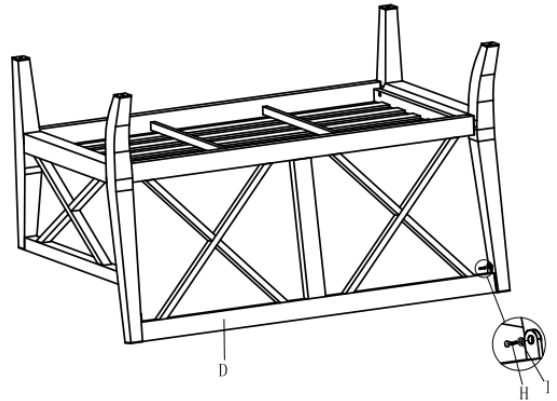
**Sorrento Square Corner Casual Dining Set Right Hand 2 Seaters Sofa**

( 67006068 / 67008068 )

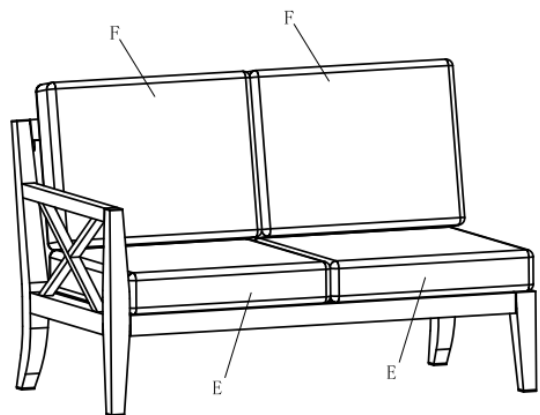
1



2



3



For replacement or lost spare parts please go to <http://spares.hartmanuk.co.uk/purchase>

**Should you have any queries about your furniture your first point of contact should be the retailer from whom you purchased your product**

PLEASE KEEP ME WITH YOUR PROOF OF PURCHASE FOR FUTURE REFERENCE

**ATTENTION:**




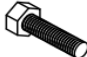

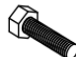




1. Please read these instructions carefully before assembly
2. Aluminium is soft metal and over tightening may strip thread or break the part
3. **DO NOT** use power tools
4. Please allow 30 minutes for assembly
5. Although assembly only requires 1 person it is advised that a second person be present to help turn the sofa over and into position when fully assembled

**LH SOFA ASSEMBLY STEPS:**

1. Position part (A), part (B) and part (C) ready for assembly
2. **LOOSELY** attach RH leg frame (A) and LH arm with leg frame (B) to seating section (C) using bolts (G) and flat washers (I) with the spanner (J) **DO NOT TIGHTEN BOLTS AT THIS STAGE.**
3. **LOOSELY** attach backrest (D) to assembled leg frames using bolts (H) and flat washers (I) with spanner (J) **DO NOT TIGHTEN BOLTS AT THIS STAGE.**
4. Tighten all bolts using the spanner (J)
5. Turn it over and place in desired position, then put all seat cushions (E) and back cushions (F) on the sofa

For more information regarding maintenance of your furniture please visit

<https://www.hartmanuk.com/home>

Component's					Fixings				
Parts List	Parts Picture	Description	Q'ty	Part no	Parts list	Parts Picture	Description	Q'ty	Part no.
A		RH leg frame	1	67006068A1	F		Back cushion	2	67006068 F
B		LH arm with leg frame	1	67006068B1	G		M6*35 bolts	7	2100040
C		Seating section	1	67006068C	H		M6*25 bolts	2	1231162
D		Backrest	1	67006068D	I		Flat washers	9	1061162
E		Seat cushion	2	67006068E	J		Spanner	1	2100041

For replacement or lost spare parts please go to <http://spares.hartmanuk.co.uk/purchase>

**Should you have any queries about your furniture your first point of contact should be the retailer from whom you purchased your product**

PLEASE KEEP ME WITH YOUR PROOF OF PURCHASE FOR FUTURE REFERENCE

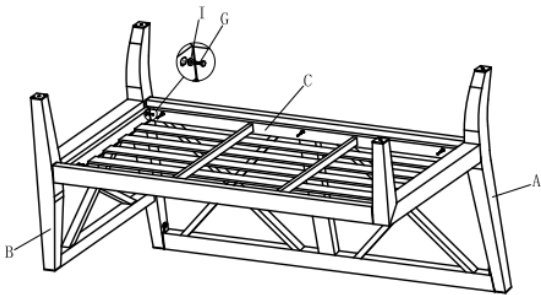


**ASSEMBLY INSTRUCTIONS**

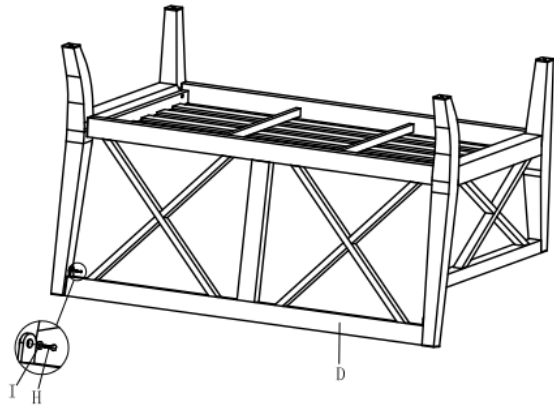
**Sorrento Square Corner Casual Dining Set Left Hand 2 Seaters Sofa**

( 67006068 / 67008068 )

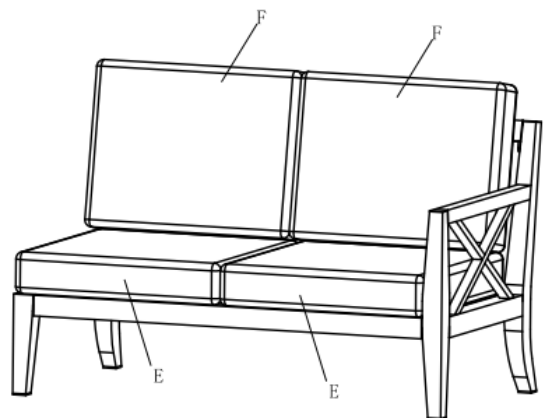
1



2



3



For replacement or lost spare parts please go to <http://spares.hartmanuk.co.uk/purchase>

**Should you have any queries about your furniture your first point of contact should be the retailer from whom you purchased your product**

PLEASE KEEP ME WITH YOUR PROOF OF PURCHASE FOR FUTURE REFERENCE

**ATTENTION:**




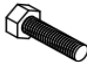







1. Please read these instructions carefully before assembly
2. Aluminium is soft metal and over tightening may strip thread or break the part
3. **DO NOT** use power tools
4. Please allow 30 minutes for assembly
5. Although assembly only requires 1 person it is advised that a second person be present to help turn the sofa over and into position when fully assembled

**CORNER SOFA UNIT ASSEMBLY STEPS:**

1. Position part (A), part (B) and part (C) ready for assembly
2. **LOOSELY** attach RH Leg frame (A) and LH arm with leg frame (B) to seating section (C) using bolts (H) and flat washers (J) with spanner (K) **DO NOT TIGHTEN BOLTS AT THIS STAGE.**
3. **LOOSELY** attach backrest (D) to assembled leg frames using bolts (I) and flat washers (J) with spanner (K) **DO NOT TIGHTEN BOLTS AT THIS STAGE.**
4. Tighten all bolts using the spanner (K)
5. Turn it over and place in desired position, then put all seat cushion (E), back cushion (F) and side cushion(G) on the sofa

For more information regarding maintenance of your furniture please visit

<https://www.hartmanuk.com/home>

Component's					Fixings				
Parts List	Parts Picture	Description	Q'ty	Part no	Parts list	Parts Picture	Description	Q'ty	Part no.
A		RH leg frame	1	67006068A1	G		Side cushion	1	67006068 G
B		LH arm with leg frame	1	67006068B1	H		M6*35 bolts	6	2100040
C		Seating section	1	67006068C1	I		M6*25 bolts	2	1231162
D		Backrest	1	67008068D1	J		Flat washers	8	1061162
E		Seat cushion	1	67006068E	K		Spanner	1	2100041
F		Back cushion	1	670086068F					

For replacement or lost spare parts please go to <http://spares.hartmanuk.co.uk/purchase>

**Should you have any queries about your furniture your first point of contact should be the retailer from whom you purchased your product**

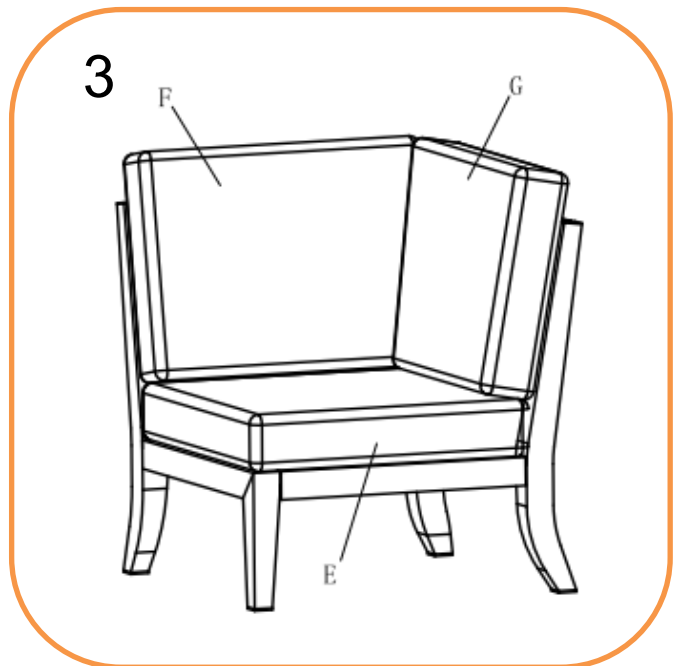
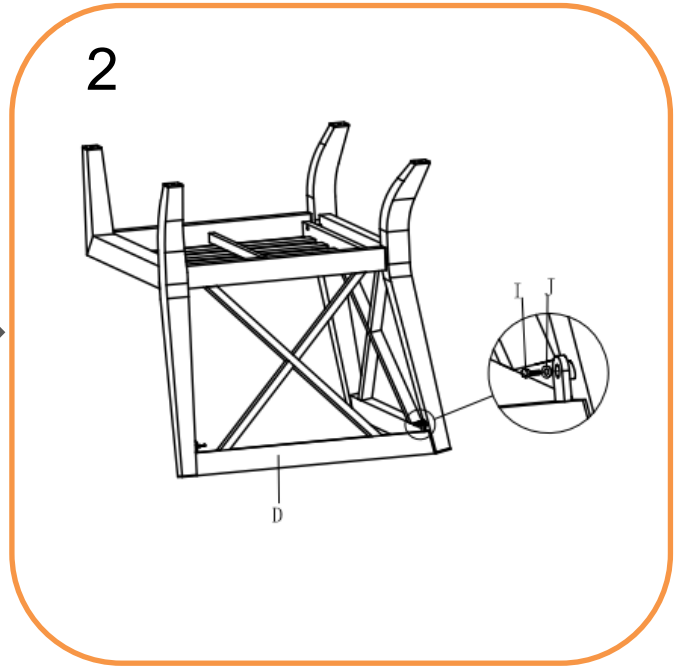
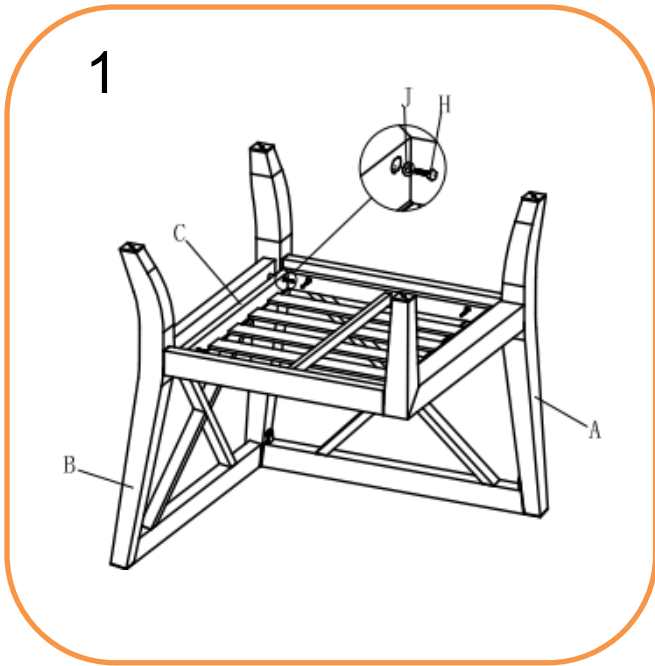
PLEASE KEEP ME WITH YOUR PROOF OF PURCHASE FOR FUTURE REFERENCE



**ASSEMBLY INSTRUCTIONS**

**Sorrento Square Corner Casual Dining Set Corner Sofa**

( 67006068 / 67008068 )



For replacement or lost spare parts please go to <http://spares.hartmanuk.co.uk/purchase>

**Should you have any queries about your furniture your first point of contact should be the retailer from whom you purchased your product**



PLEASE KEEP ME WITH YOUR PROOF OF PURCHASE FOR FUTURE REFERENCE

**ATTENTION:**

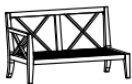


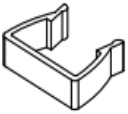

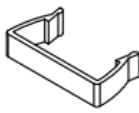
1. Please read these instructions carefully before assembly
2. Aluminium is soft metal and over tightening may strip thread or break the part
3. **DO NOT** use power tools
4. Please allow 30 minutes for assembly
5. Although assembly only requires 1 person it is advised that a second person be present to help turn the sofa over and into position when fully assembled

**ASSEMBLY STEPS:**

1. Position part (A), part (B), part (C) and part (D) ready for assembly
2. With brackets (E) and (F) position over the section that adjoin parts (A), (B), (C) and (D).
3. Turn sofas over and place in desired position.
4. Put all cushions on the sofa

For more information regarding maintenance of your furniture please visit

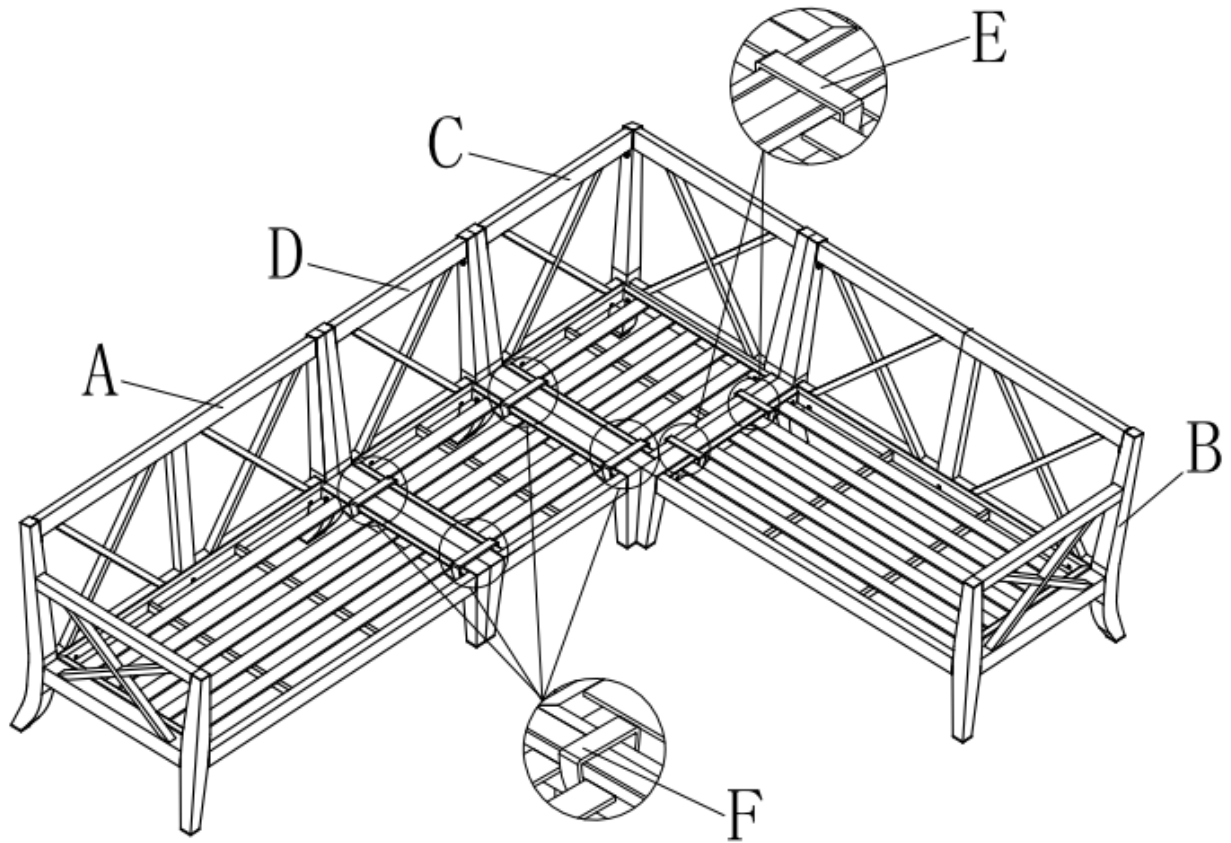
[http://www.hartmanuk.co.uk/after\\_care\\_videos.html](http://www.hartmanuk.co.uk/after_care_videos.html)

Component's				Fixings					
Parts List	Parts Picture	Description	Q'ty	Part no	Parts list	Parts Picture	Description	Q'ty	Part no.
A		RH Sofa	1		D		Middle sofa	1	
B		LH Sofa	1		E		Bracket	2	2100103
C		Corner sofa	1		F		Bracket	4	2100104

For replacement or lost spare parts please go to <http://spares.hartmanuk.co.uk/purchase>

**Should you have any queries about your furniture your first point of contact should be the retailer from whom you purchased your product**

PLEASE KEEP ME WITH YOUR PROOF OF PURCHASE FOR FUTURE REFERENCE



For replacement or lost spare parts please go to <http://spares.hartmanuk.co.uk/purchase>

**Should you have any queries about your furniture your first point of contact should be the retailer from whom you purchased your product**