

PLEASE KEEP ME WITH YOUR PROOF OF PURCHASE FOR FUTURE REFERENCE



ASSEMBLY INSTRUCTIONS

Sorrento 50cm Ceramic Square Side Table

(67003068)

ATTENTION:








1. Please read these instructions carefully before assembly
2. Aluminium is a soft metal and over tightening may strip the thread or break the part
3. **DO NOT** use power tools
4. Please allow 30 minutes for assembly

ASSEMBLY STEPS:

1. Place glass in safe place whilst assembling table
2. Turn the table top (B) upside down on a soft clean surface
3. **LOOSELY** attach legs (A) to table top (B) with bolts (E) and big flat washers (F) using spanner (G) **DO NOT TIGHTEN THE BOLTS AT THIS STAGE**
4. **LOOSELY** attach connecting bar (C) using bolts (E) and flat washers (F) with spanner (G) to assembled leg frames **DO NOT TIGHTEN BOLTS AT THIS STAGE.**
5. Tighten all bolts using the spanner (G)
6. Turn table top over and place in desired position
7. Place glass (C) back on table and gently press down on suckers to ensure glass is secure

For more information regarding maintenance of your furniture please visit

<https://www.hartmanuk.com/home>

Component's				Fixings					
Parts List	Parts Picture	Description	Q'ty	Part no	Parts list	Parts Picture	Description	Q'ty	Part no.
A		Leg	2	67003068A	E		M6*25 bolts	8	1231162
B		Table top	1	67003068B	F		Flat washers	8	1061162
C		Connecting bar	1	67003068C	G		Spanner	1	2100041
D		Glass	1	67003068D					

For replacement or lost spare parts please go to <http://spares.hartmanuk.co.uk/purchase>

Should you have any queries about your furniture your first point of contact should be the retailer from whom you purchased your product

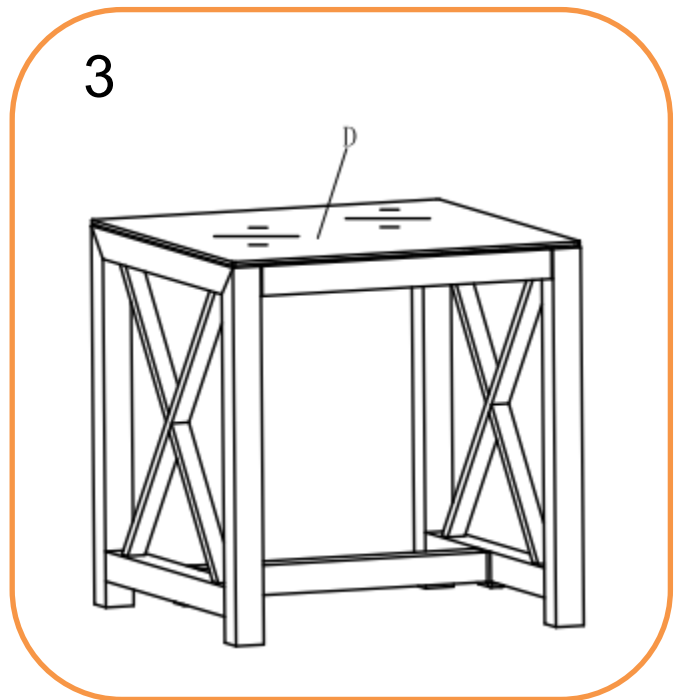
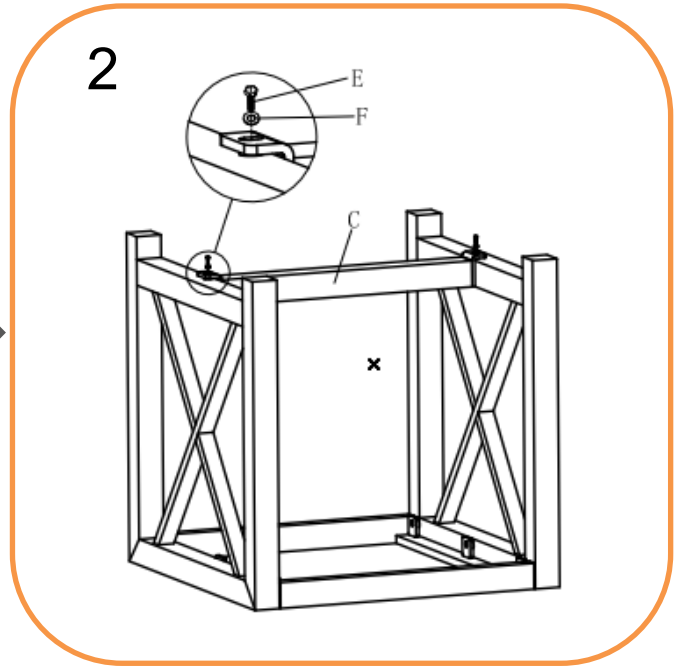
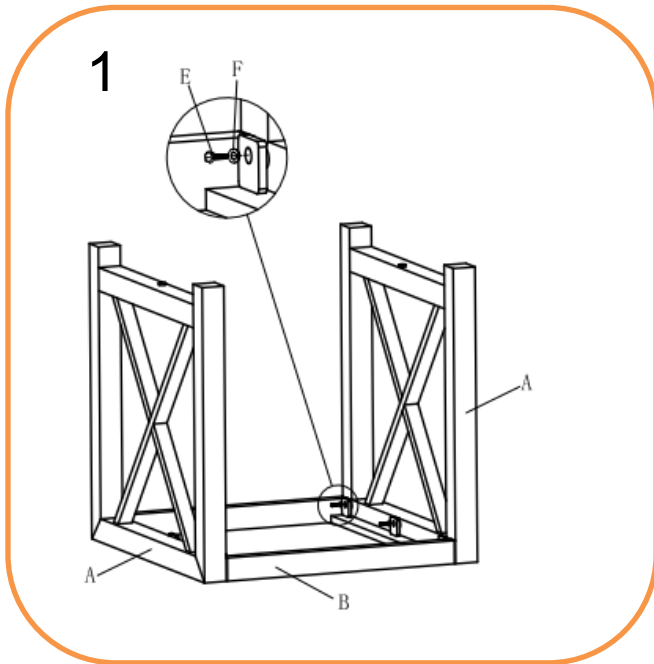
PLEASE KEEP ME WITH YOUR PROOF OF PURCHASE FOR FUTURE REFERENCE



ASSEMBLY INSTRUCTIONS

Sorrento 50cm Ceramic Square Side Table

(67003068)



For replacement or lost spare parts please go to <http://spares.hartmanuk.co.uk/purchase>

Should you have any queries about your furniture your first point of contact should be the retailer from whom you purchased your product

PLEASE KEEP ME WITH YOUR PROOF OF PURCHASE FOR FUTURE REFERENCE



ASSEMBLY INSTRUCTIONS

Sorrento Lounge Chair

(67005068 / 67001068)

ATTENTION:


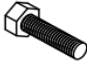

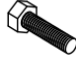






1. Please read these instructions carefully before assembly
2. Aluminium is soft metal and over tightening may strip thread or break the part
3. **DO NOT** use power tools
4. Please allow 30 minutes for assembly
5. Although assembly only requires 1 person it is advised that a second person be present to help turn the sofa over and into position when fully assembled

ASSEMBLY STEPS:

1. Position part (A), part (B) and part (C) ready for assembly
2. **LOOSELY** attach RH arm with leg frame (A) and LH arm with leg frame (B) to seating section (C) using bolts (G) and flat washers (I) with the spanner (J) **DO NOT TIGHTEN BOLTS AT THIS STAGE.**
3. **LOOSELY** attach backrest (D) to assembled leg frames using bolts (H) and flat washers (I) with the spanner (J) **DO NOT TIGHTEN BOLTS AT THIS STAGE.**
4. Tighten all bolts using the spanner (J)
5. Turn it over and place in desired position, then put all seat cushion (E) and back cushion (F) on the sofa

For more information regarding maintenance of your furniture please visit

<https://www.hartmanuk.com/home>

Component's				Fixings					
Parts List	Parts Picture	Description	Q'ty	Part no	Parts list	Parts Picture	Description	Q'ty	Part no.
A		RH arm with leg frame	1	67005068A	G		M6*35 bolts	6	2100040
B		LH arm with leg frame	1	67005068B	H		M6*25 bolts	2	1231162
C		Seating section	1	67005068C	I		Flat washers	8	1061162
D		Backrest	1	67005068D	J		Spanner	1	2100041
E		Seat cushion	1	67005068E					
F		Back cushion	1	67005068F					

For replacement or lost spare parts please go to <http://spares.hartmanuk.co.uk/purchase>

Should you have any queries about your furniture your first point of contact should be the retailer from whom you purchased your product

PLEASE KEEP ME WITH YOUR PROOF OF PURCHASE FOR FUTURE REFERENCE

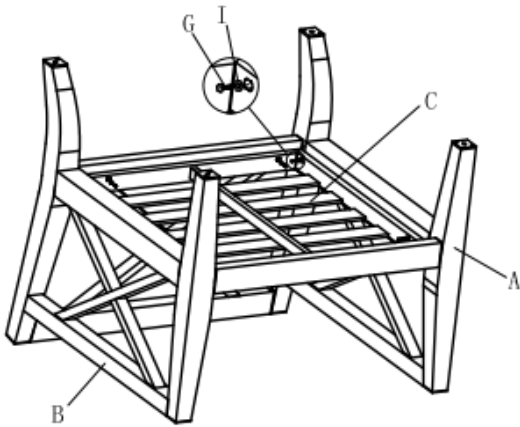


ASSEMBLY INSTRUCTIONS

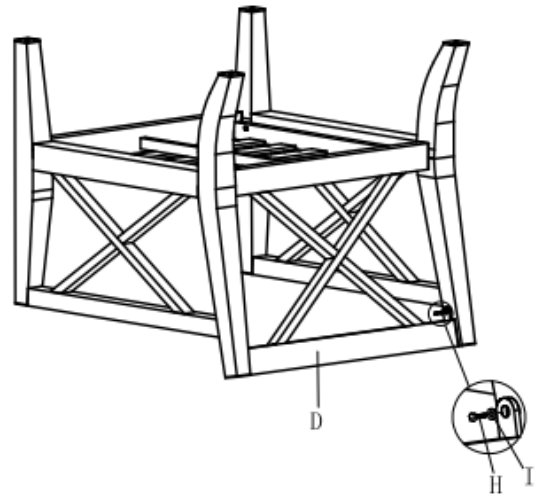
Sorrento Lounge Chair

(67005068 / 67001068)

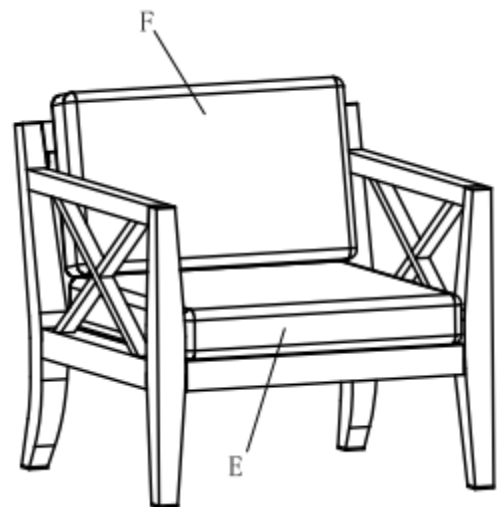
1



2



3



For replacement or lost spare parts please go to <http://spares.hartmanuk.co.uk/purchase>

Should you have any queries about your furniture your first point of contact should be the retailer from whom you purchased your product

PLEASE KEEP ME WITH YOUR PROOF OF PURCHASE FOR FUTURE REFERENCE



ASSEMBLY INSTRUCTIONS

Sorrento 60x45cm Stool

(67004068)

ATTENTION:









1. Please read these instructions carefully before assembly
2. Aluminium is soft metal and over tightening may strip thread or break the part
3. **DO NOT** use power tools
4. Please allow 30 minutes for assembly
5. Although assembly only requires 1 person it is advised that a second person be present to help turn the sofa over and into position when fully assembled

ASSEMBLY STEPS:

1. Turn the cushion (B) upside down on a soft clean surface
2. **LOOSELY** attach legs (A) using bolts (E) and flat washers (G) with spanner (H) to cushion base (B) **DO NOT TIGHTEN BOLTS AT THIS STAGE.**
3. **LOOSELY** attach connecting bar (C) using bolts (F) and flat washers (G) with spanner (H) to assembled leg frames **DO NOT TIGHTEN BOLTS AT THIS STAGE.**
4. Tighten all bolts using the spanner (H)
5. Turn it over and place in desired position, then put seat cushion (D) on the stool

For more information regarding maintenance of your furniture please visit

<https://www.hartmanuk.com/home>

Component's				Fixings					
Parts List	Parts Picture	Description	Q'ty		Parts list	Parts Picture	Description	Q'ty	
A		Leg	2	67004068A	E		M6*35 bolts	8	2100040
B		Cushion base	1	67004068B	F		M6*25 bolts	2	1231162
C		Connecting bar	1	67004068C	G		Flat washers	10	1061162
D		Stool cushion	1	67004068D	H		Spanner	1	2100041

For replacement or lost spare parts please go to <http://spares.hartmanuk.co.uk/purchase>

Should you have any queries about your furniture your first point of contact should be the retailer from whom you purchased your product

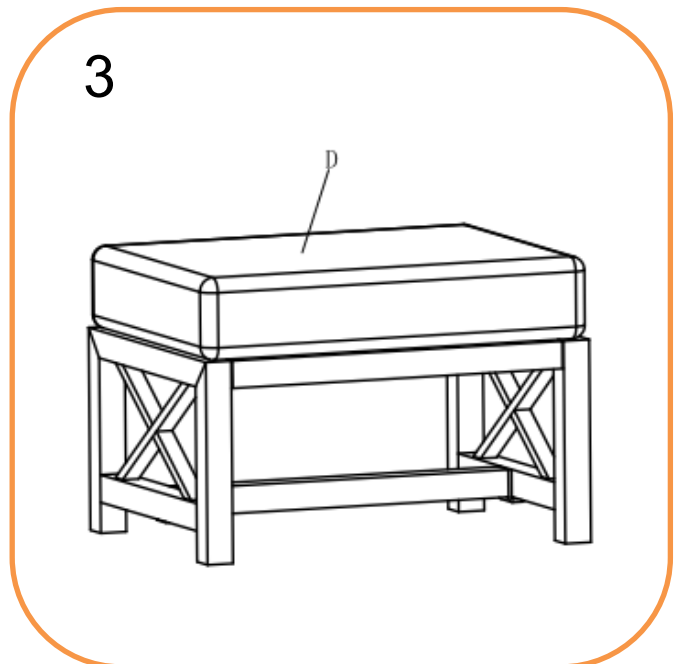
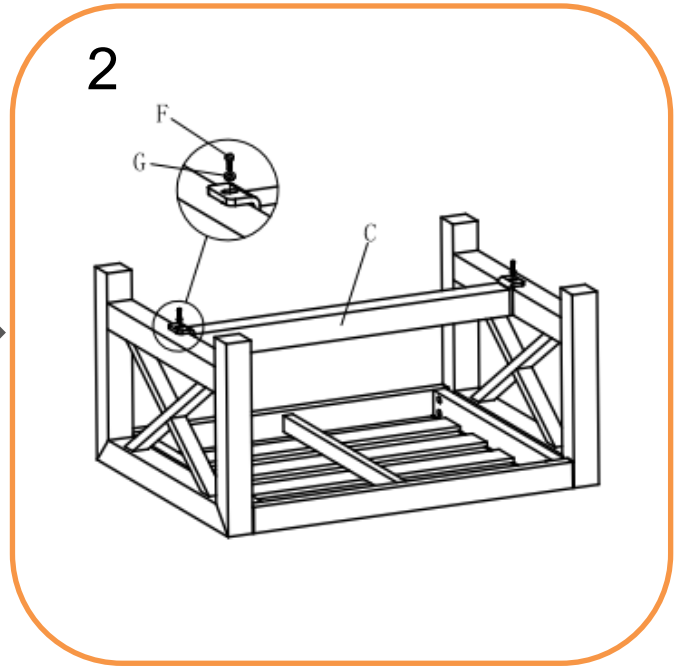
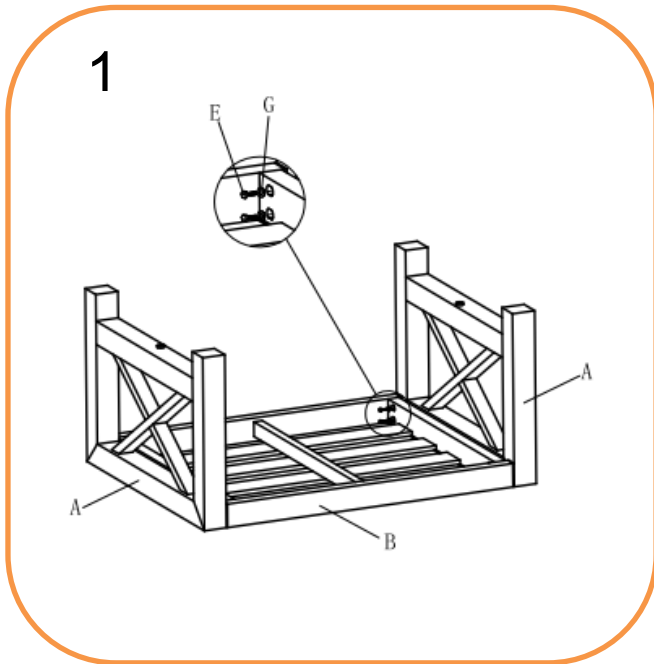
PLEASE KEEP ME WITH YOUR PROOF OF PURCHASE FOR FUTURE REFERENCE



ASSEMBLY INSTRUCTIONS

Sorrento 60x45cm Stool

(67004068)



For replacement or lost spare parts please go to <http://spares.hartmanuk.co.uk/purchase>

Should you have any queries about your furniture your first point of contact should be the retailer from whom you purchased your product