

PLEASE KEEP ME WITH YOUR PROOF OF PURCHASE FOR FUTURE REFERENCE



ASSEMBLY INSTRUCTIONS

Singapore Rectangular Teak Platform Set

(69127012)

ATTENTION:


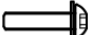
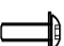





1. Please read these instructions carefully before assembly
2. Aluminium is soft metal and over tightening may strip thread or break the part
3. **DO NOT** use power tools
4. Please allow 30 minutes for assembly.
5. Although assembly only requires 1 person it is advised that a second person be present to help turn the table over and into position when fully assembled

LH SOFA ASSEMBLY STEPS:

1. Turn the sofa (A) upside down on a soft clean surface
2. Attach middle leg (C) to the Sofa Seating (A) with bolts (E) and big flat washers (F) using Allen key (H)
3. Turn Sofa over and place in desired position.
4. **LOOSELY** attach backrest (B) to Sofa seating (A) with bolts (D), big flat washers (F) and metal plate (G) using Allen key (H) **DO NOT TIGHTEN THE BOLTS AT THIS STAGE**
5. Tighten all bolts using Allen key (H) one by one being careful not to over tighten any as this will cause the thread to become damaged
6. Place all cushions on the sofa seat

For more information regarding maintenance of your furniture please visit

http://www.hartmanuk.co.uk/after_care_videos.html

Component's				Fixings					
Parts List	Parts Picture	Description	Q'ty	Part no	Parts list	Parts Picture	Description	Q'ty	Part no.
A		Sofa Seating	1		D		M6*40 bolts	12	
					E		M6*20 bolts	2	
B		Backrest	3		F		Big Flat washers	14	
C		Middle leg	1		G		Metal plate	6	
					H		Allen Key	1	

For replacement or lost spare parts please go to <http://faq.hartmanuk.co.uk/spares/>

Should you have any queries about your furniture your first point of contact should be the retailer from whom you purchased your product

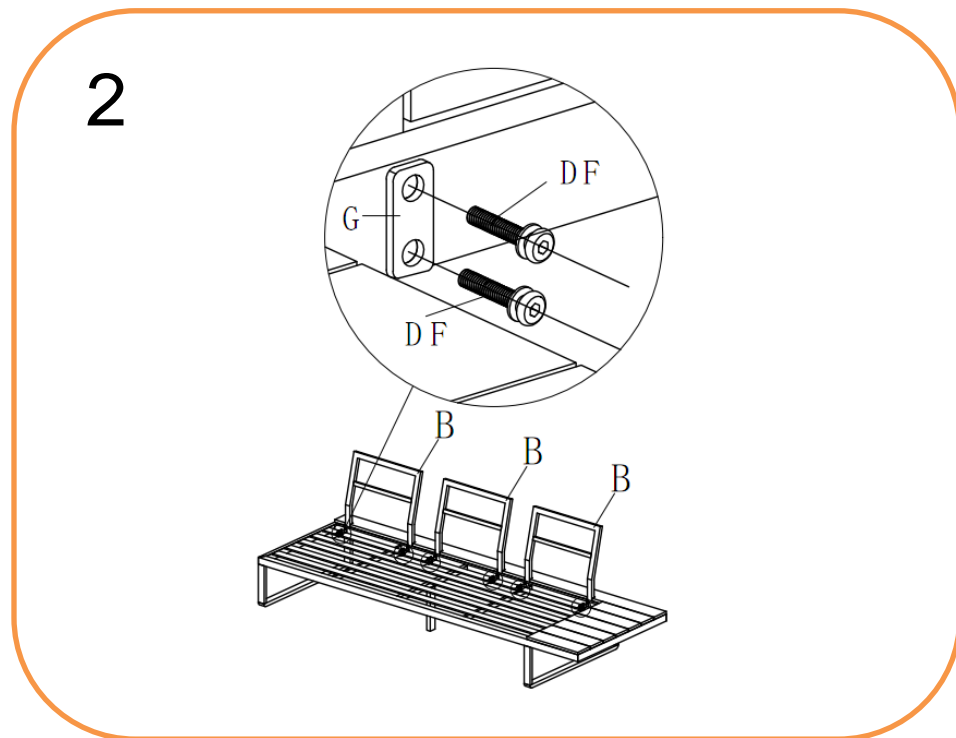
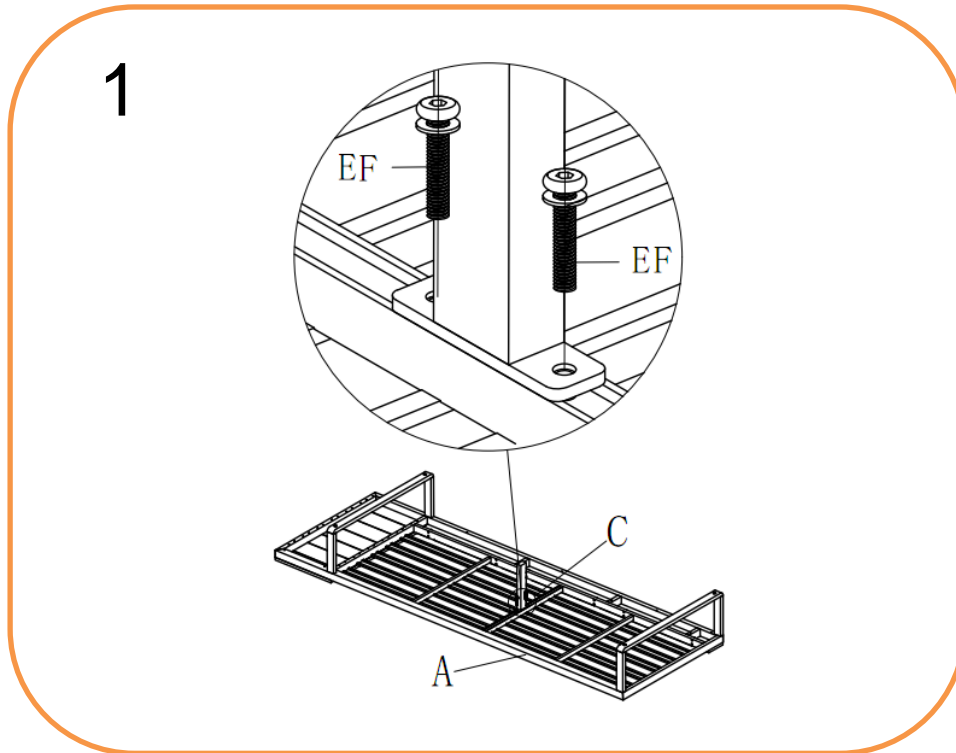
PLEASE KEEP ME WITH YOUR PROOF OF PURCHASE FOR FUTURE REFERENCE



ASSEMBLY INSTRUCTIONS

Singapore Rectangular Teak Platform Set – LH Sofa (A1)

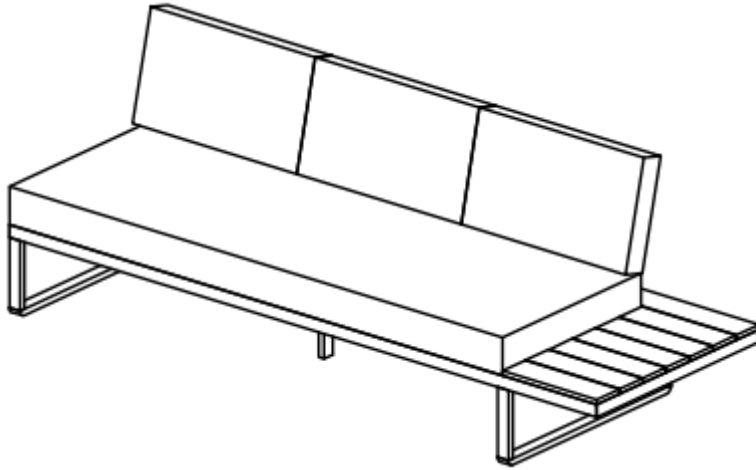
(69127012)



For replacement or lost spare parts please go to <http://fa.hartmanuk.co.uk/spares/>
Should you have any queries about your furniture your first point of contact should be the retailer from whom you purchased your product

PLEASE KEEP ME WITH YOUR PROOF OF PURCHASE FOR FUTURE REFERENCE

3



For replacement or lost spare parts please go to <http://faq.hartmanuk.co.uk/spares/>
Should you have any queries about your furniture your first point of contact should be the retailer from whom you purchased your product

PLEASE KEEP ME WITH YOUR PROOF OF PURCHASE FOR FUTURE REFERENCE

ATTENTION:


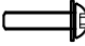
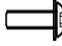





1. Please read these instructions carefully before assembly
2. Aluminium is soft metal and over tightening may strip thread or break the part
3. **DO NOT** use power tools
4. Please allow 30 minutes for assembly.
5. Although assembly only requires 1 person it is advised that a second person be present to help turn the table over and into position when fully assembled

RH SOFA ASSEMBLY STEPS:

1. Turn the sofa (A) upside down on a soft clean surface
2. Attach middle leg (C) to the Sofa (A) with bolts (E) and big flat washers (F) using Allen key (H)
3. Turn Sofa over and place in desired position.
4. **LOOSELY** attach assembled backrest (B) to Sofa (A) with bolts (D), big flat washers (F) and metal plate(G) using Allen key (H) **DO NOT TIGHTEN THE BOLTS AT THIS STAGE**
5. Tighten all bolts using Allen key (H) one by one being careful not to over tighten any as this will cause the thread to become damaged
6. Place all cushions on the sofa seat

For more information regarding maintenance of your furniture please visit

http://www.hartmanuk.co.uk/after_care_videos.html

Component's				Fixings					
Parts List	Parts Picture	Description	Q'ty	Part no	Parts list	Parts Picture	Description	Q'ty	Part no.
A		Sofa Seating	1		D		M6*40 bolts	16	
					E		M6*20 bolts	2	
B		Backrest	4		F		Big Flat washers	18	
C		Middle leg	1		G		Metal plate	8	
					H		Allen Key	1	

For replacement or lost spare parts please go to <http://faq.hartmanuk.co.uk/spares/>

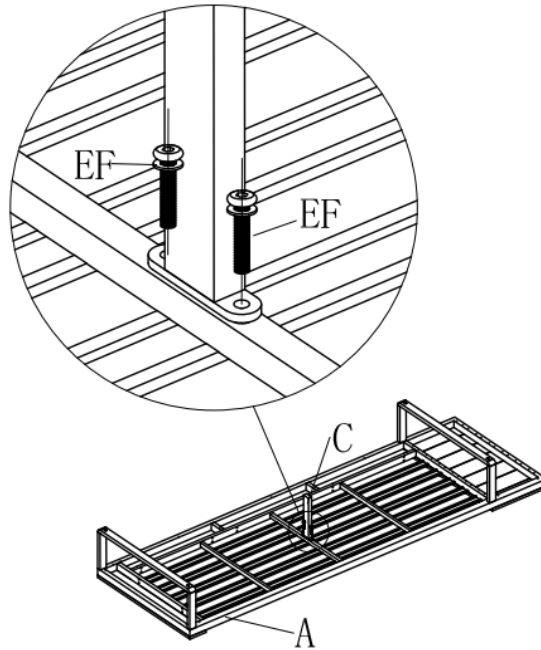
Should you have any queries about your furniture your first point of contact should be the retailer from whom you purchased your product

PLEASE KEEP ME WITH YOUR PROOF OF PURCHASE FOR FUTURE REFERENCE

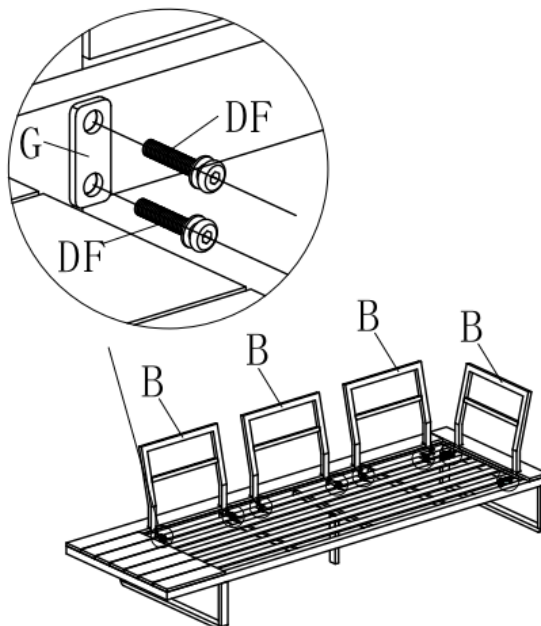
ASSEMBLY INSTRUCTIONS

Singapore Rectangular Teak Platform Set – LH Sofa (B1)

1



2

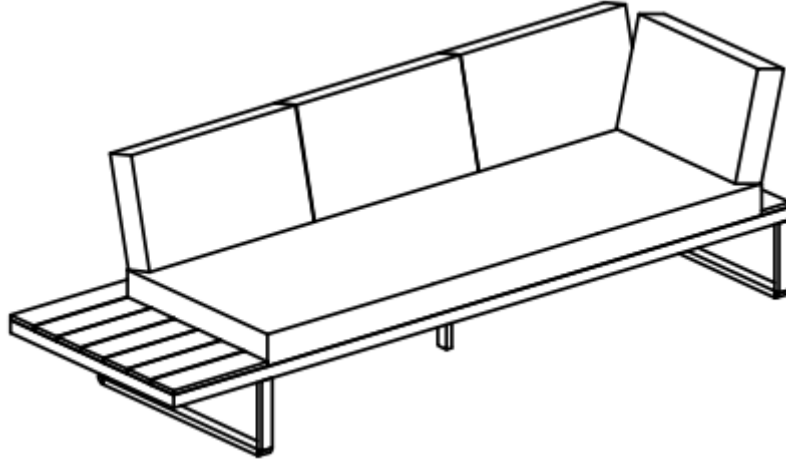


For replacement or lost spare parts please go to <http://furniturehartmanuk.co.uk/spares/>

Should you have any queries about your furniture your first point of contact should be the retailer from whom you purchased your product

PLEASE KEEP ME WITH YOUR PROOF OF PURCHASE FOR FUTURE REFERENCE

3



For replacement or lost spare parts please go to <http://faq.hartmanuk.co.uk/spares/>
Should you have any queries about your furniture your first point of contact should be the retailer from whom you purchased your product




PLEASE KEEP ME WITH YOUR PROOF OF PURCHASE FOR FUTURE REFERENCE

CORNER SEATING UNIT ASSEMBLY STEPS:

1. Position part (A) and part (B) ready for assembly
2. With 2 velcro straps (C) position over the section that adjoin parts (A) and (B).
3. Place all cushions on the sofa seat.

For more information regarding maintenance of your furniture please visit

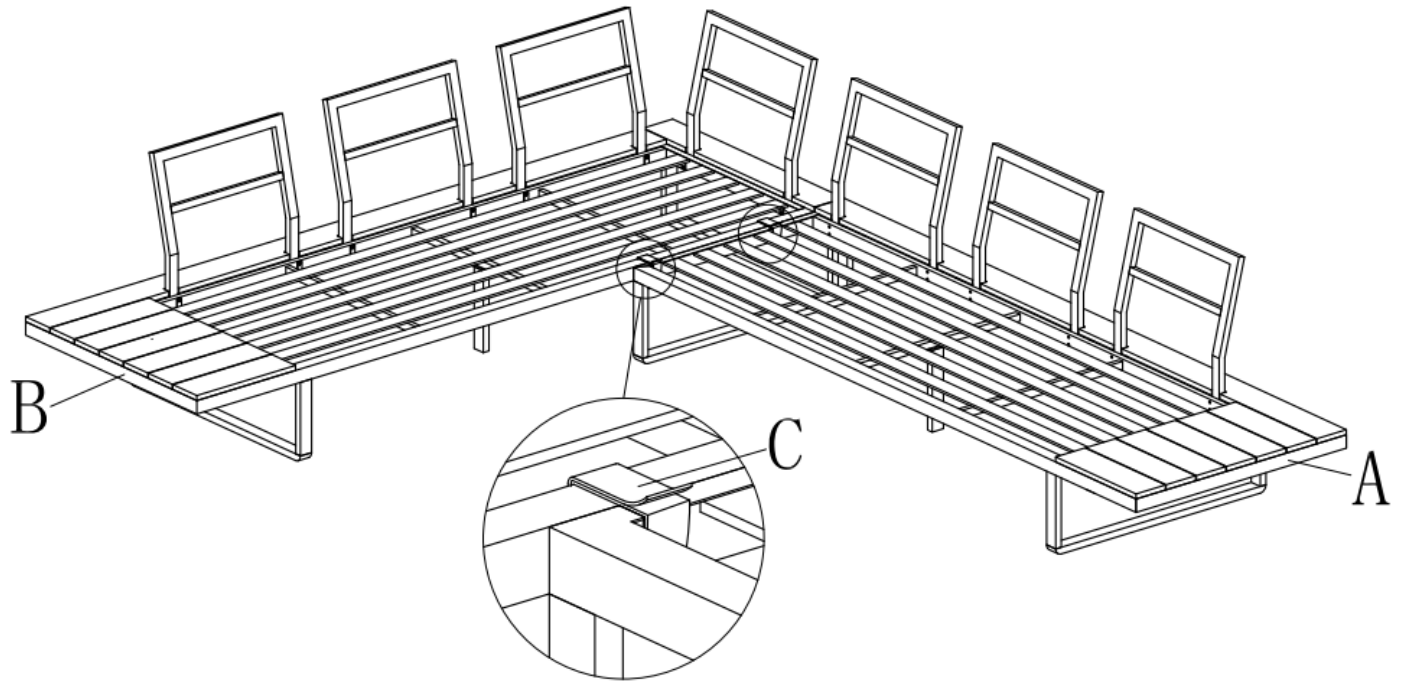
http://www.hartmanuk.co.uk/after_care_videos.html

Component's				Fixings					
Parts List	Parts Picture	Description	Q'ty	Part no	Parts list	Parts Picture	Description	Q'ty	Part no.
A		Sofa A	1						
B		Sofa B	1						
C		Velcro strap	2						

For replacement or lost spare parts please go to <http://faq.hartmanuk.co.uk/spares/>

Should you have any queries about your furniture your first point of contact should be the retailer from whom you purchased your product

PLEASE KEEP ME WITH YOUR PROOF OF PURCHASE FOR FUTURE REFERENCE



For replacement or lost spare parts please go to <http://faq.hartmanuk.co.uk/spares/>
Should you have any queries about your furniture your first point of contact should be the retailer from whom you purchased your product

PLEASE KEEP ME WITH YOUR PROOF OF PURCHASE FOR FUTURE REFERENCE



ASSEMBLY INSTRUCTIONS

Singapore Teak Rectangular Table

69128012

ATTENTION:


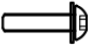



1. Please read these instructions carefully before assembly
2. Aluminium is soft metal and over tightening may strip thread or break the part
3. **DO NOT** use power tools
4. Please allow 30 minutes for assembly.
5. Although assembly only requires 1 person it is advised that a second person be present to help turn the table over and into position when fully assembled.

ASSEMBLY STEPS:

1. Turn the table top (A) upside down on a soft clean surface
2. Attach the legs (B) to the table top (A) with bolts (C) and big flat washers (D) using Allen key (E)
3. Turn Table over and place in desired position.

For more information regarding maintenance of your furniture please visit

http://www.hartmanuk.co.uk/after_care_videos.html

Component's					Fixings				
Parts List	Parts Picture	Description	Q'ty	Part no	Parts list	Parts Picture	Description	Q'ty	Part no.
A		Table top	1	61928012A	C		M6*20 bolts	8	1017162
					D		Big Flat washers	8	1061162
B		Leg	2	61928012B	E		Allen Key	1	2002191

For replacement or lost spare parts please go to <http://faq.hartmanuk.co.uk/spares/>

Should you have any queries about your furniture your first point of contact should be the retailer from whom you purchased your product

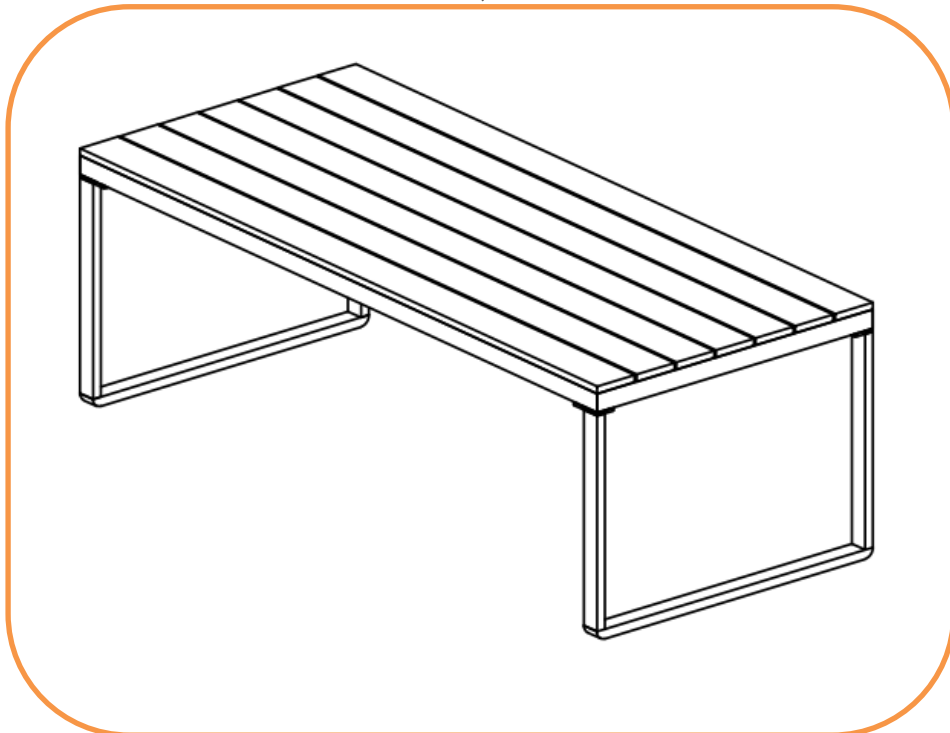
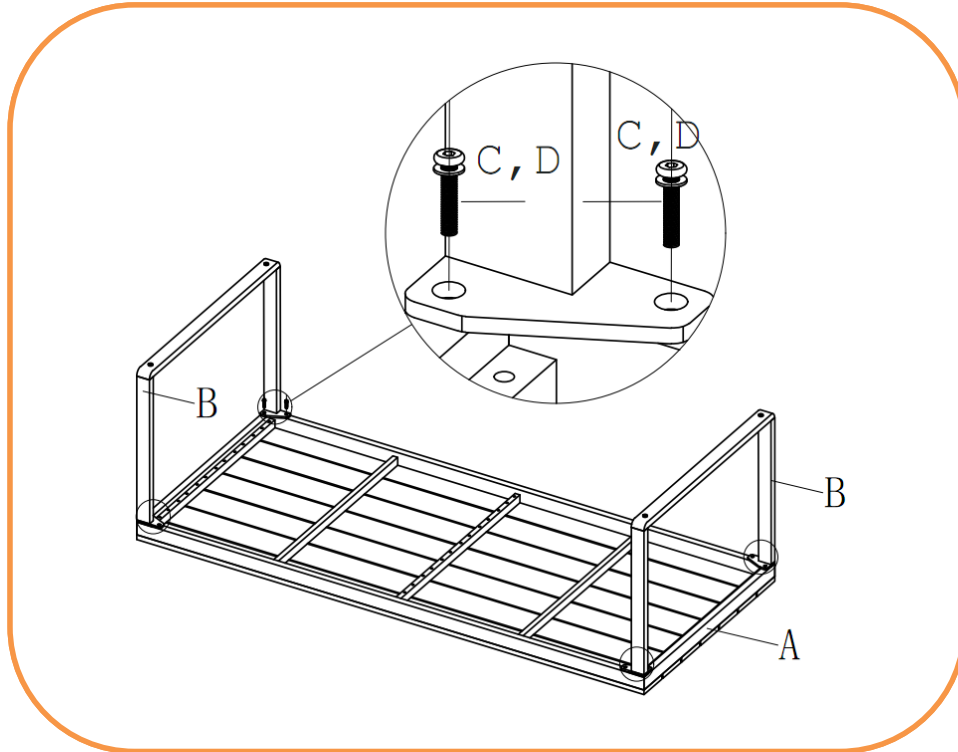
PLEASE KEEP ME WITH YOUR PROOF OF PURCHASE FOR FUTURE REFERENCE



ASSEMBLY INSTRUCTIONS

Singapore Teak Rectangular Table

(69128012)



For replacement or lost spare parts please go to <http://faq.hartmanuk.co.uk/spares/>
Should you have any queries about your furniture your first point of contact should be the retailer from whom you purchased your product