

PLEASE KEEP ME WITH YOUR PROOF OF PURCHASE FOR FUTURE REFERENCE


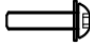
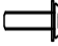





ATTENTION:

1. Please read these instructions carefully before assembly
2. Aluminium is soft metal and over tightening may strip thread or break the part
3. **DO NOT** use power tools
4. Please allow 30 minutes for assembly.
5. Although assembly only requires 1 person it is advised that a second person be present to help turn the table over and into position when fully assembled

ASSEMBLY STEPS:

1. Turn the sofa (A) upside down on a soft clean surface
2. Attach middle leg(C) to the Sofa(A) with bolts(E) and big flat washers (F) using Allen key (H)
3. Turn Sofa over and place where required
4. **LOOSELY** attach backrests(B) to Sofa (A) with bolts (D), big flat washers (F) and metal plate(G) using Allen key (H) **DO NOT TIGHTEN THE BOLTS AT THIS STAGE**
5. Tighten all bolts using Allen key (H) one by one being careful not to over tighten as this will cause the thread to become damaged
6. Place all cushions on the sofa seat
7. Don't forget your Warranty Registration

For more information regarding maintenance of your furniture and to register your warranty, please visit www.hartmanuk.com

Component's 69017012 LEFT HAND SOFA					Fixings				
Parts List	Parts Picture	Description	Q'ty	Part no	Parts list	Parts Picture	Description	Q'ty	Part no.
A		Sofa Seating	1	69017012A1	D		M6*40 bolts	16	1006162
					E		M6*20 bolts	2	1017162
B		Backrest	4	69017012B	F		Big Flat washers	18	1061162
C		Middle leg	1	69017012C	G		Metal plate	8	2002185
					H		Allen Key	1	2002191

For replacement or lost spare parts please go to <http://faq.hartmanuk.co.uk/spares/>

Should you have any queries about your furniture your first point of contact should be the retailer from whom you purchased your product

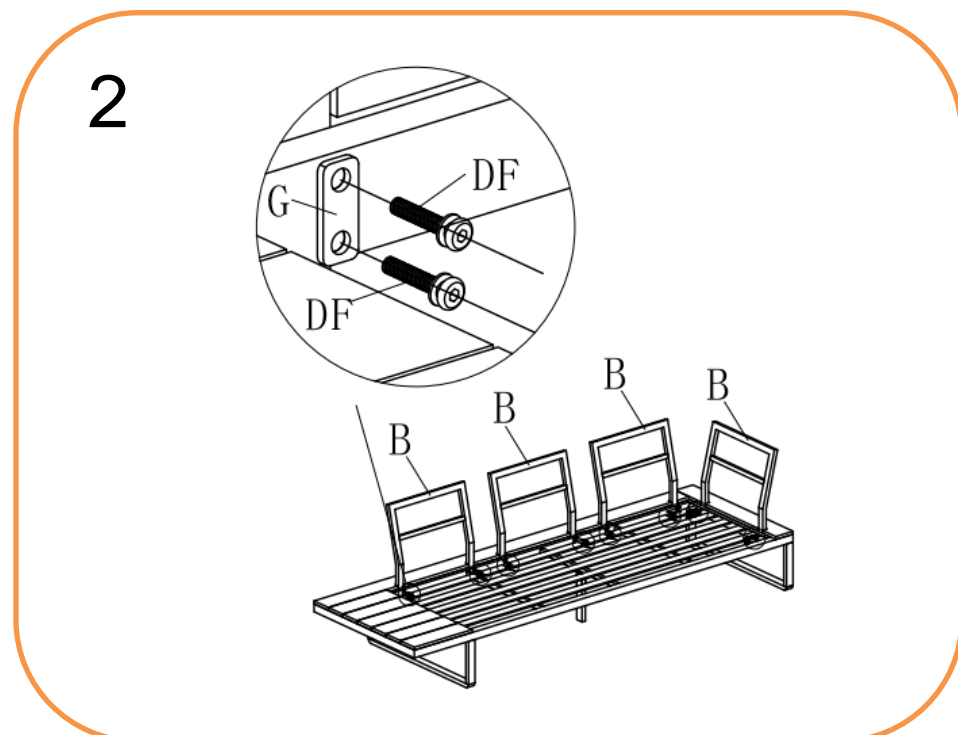
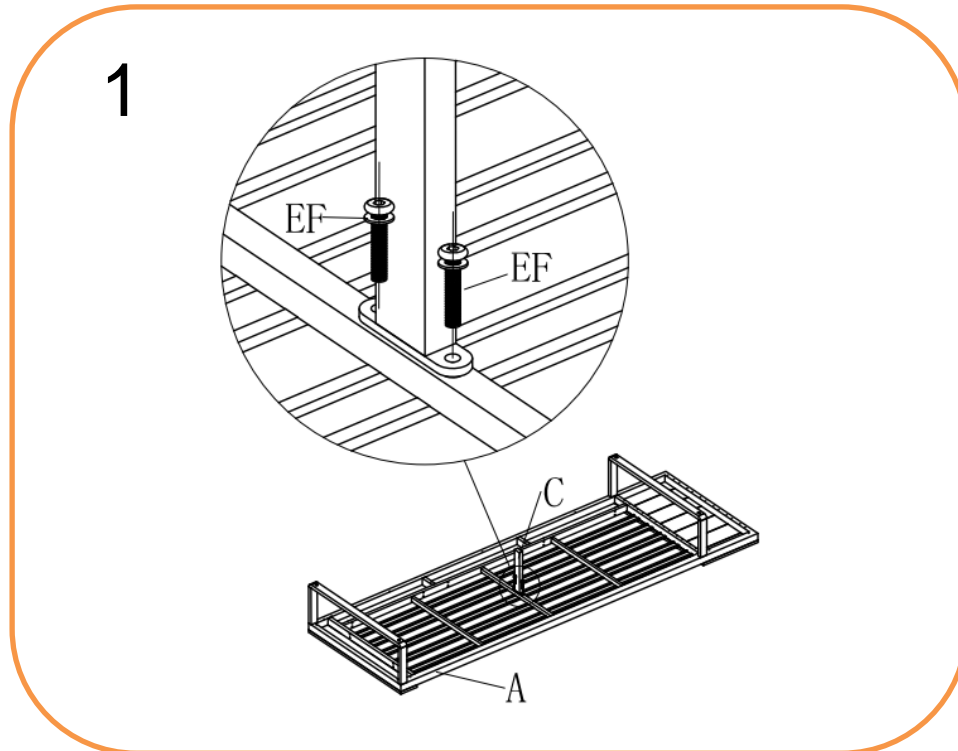
PLEASE KEEP ME WITH YOUR PROOF OF PURCHASE FOR FUTURE REFERENCE

ASSEMBLY INSTRUCTIONS

Singapore Teak Platform Set

1 x 75cm Square Teak Coffee Table and 1 X Square Corner Platform Seating Unit

Ref.69017012

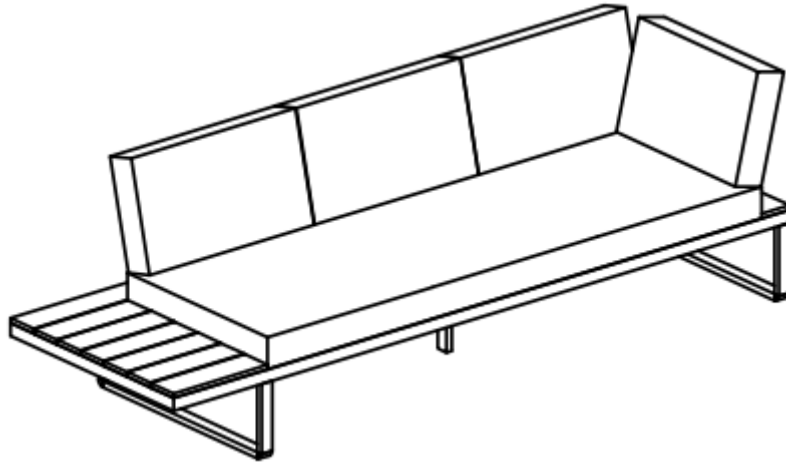


For replacement or lost spare parts please go to <http://faq.hartmanuk.co.uk/spares/>
Should you have any queries about your furniture your first point of contact should be the retailer from whom you purchased your product

PLEASE KEEP ME WITH YOUR PROOF OF PURCHASE FOR FUTURE REFERENCE



3


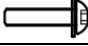






For replacement or lost spare parts please go to <http://faq.hartmanuk.co.uk/spares/>
Should you have any queries about your furniture your first point of contact should be the retailer from whom you purchased your product

PLEASE KEEP ME WITH YOUR PROOF OF PURCHASE FOR FUTURE REFERENCE

ASSEMBLY STEPS For Right Hand Sofa:

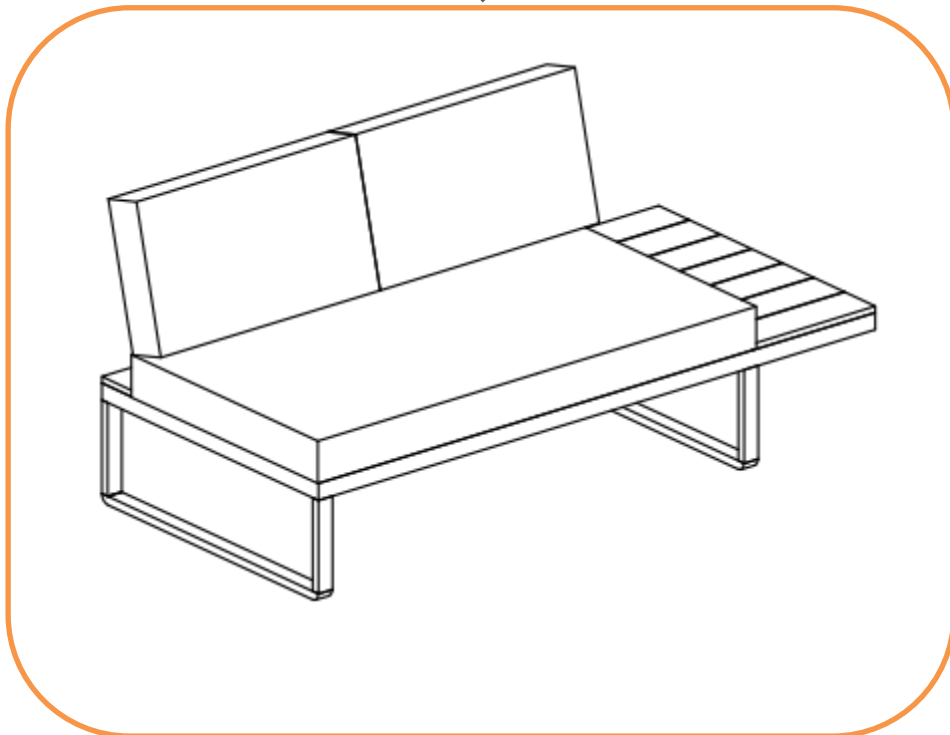
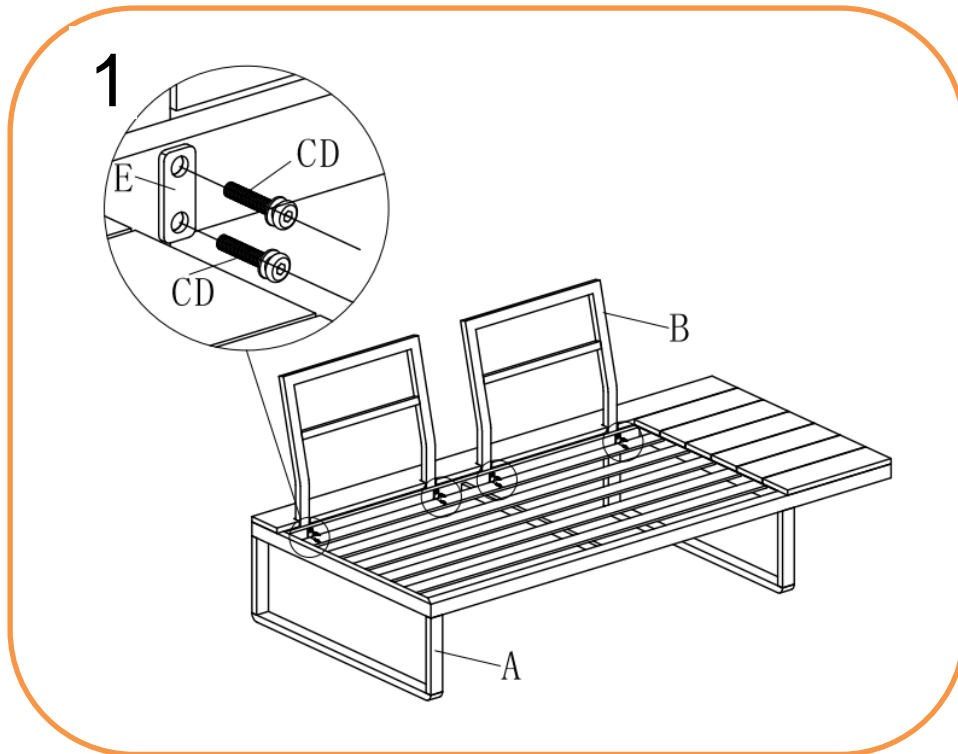
1. Put Sofa seating part(A) where required
2. LOOSELY attach backrests (B) to Sofa (A) with bolts (C), big flat washers (D) and metal plate(E) using Allen key (F) **DO NOT TIGHTEN THE BOLTS AT THIS STAGE**
3. Tighten all bolts using Allen key (F) one by one being careful not to over tighten any as this will cause the thread to become damaged
4. Place all cushions on the sofa seat

Component's RIGHT HAND SOFA Ref.69017012				Fixings					
Parts List	Parts Picture	Description	Q'ty	Part no	Parts list	Parts Picture	Description	Q'ty	Part no.
A		Sofa Seating	1	69017012A2	C		M6*40 bolts	8	2002168
					D		Big Flat washers	8	1311162
B		Backrest	2	69017012B	E		Metal plate	4	2002185
					F		Allen Key	1	1020162

For replacement or lost spare parts please go to <http://faq.hartmanuk.co.uk/spares/>

Should you have any queries about your furniture your first point of contact should be the retailer from whom you purchased your product

PLEASE KEEP ME WITH YOUR PROOF OF PURCHASE FOR FUTURE REFERENCE



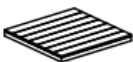
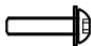



For replacement or lost spare parts please go to <http://faq.hartmanuk.co.uk/spares/>
Should you have any queries about your furniture your first point of contact should be the retailer from whom you purchased your product

PLEASE KEEP ME WITH YOUR PROOF OF PURCHASE FOR FUTURE REFERENCE

ASSEMBLY STEPS for Table:

1. Turn the table top(A) upside down on a soft clean surface
2. Attach the legs(B) to the table top(A) with bolts(C) and big flat washers(D) using Allen key(E)

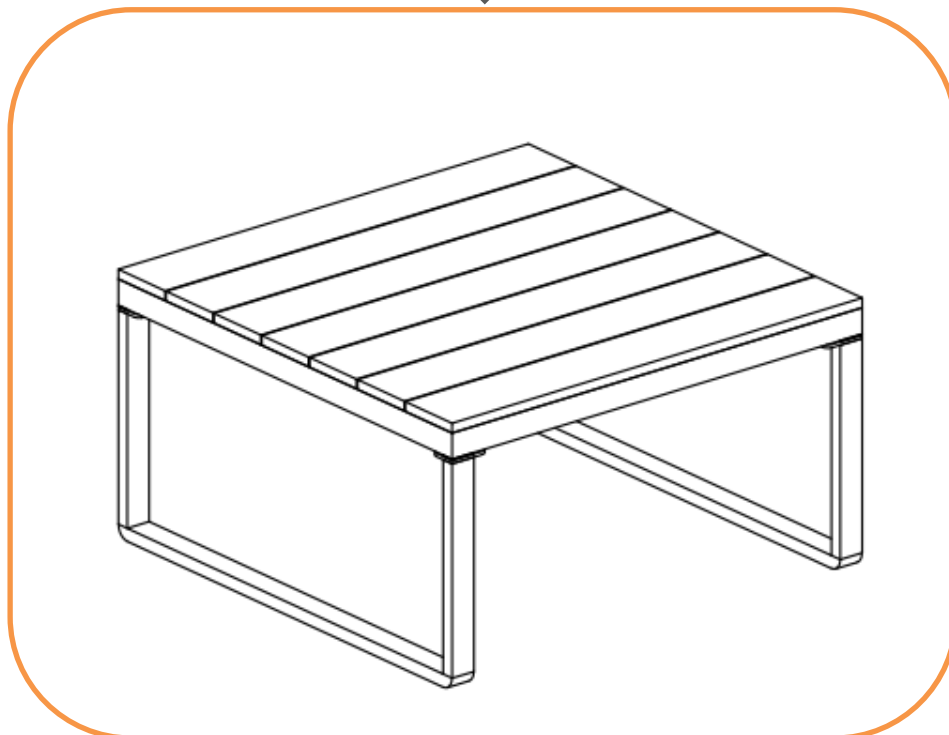
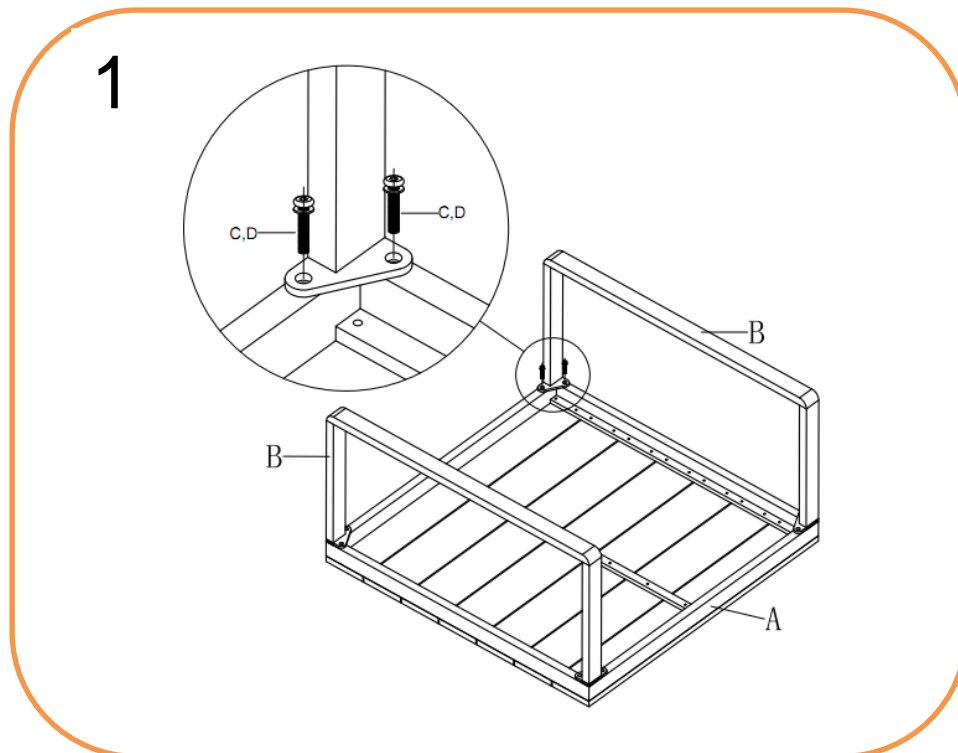
Turn Table over and place where required

Component's				Fixings					
Parts List	Parts Picture	Description	Q'ty	Part no	Parts list	Parts Picture	Description	Q'ty	Part no.
A		Table top	1	69017012A3	C		M6*20 bolts	8	1017162
					D		Big Flat washers	8	1061162
B		Leg	2	69017012B3	E		Allen Key	1	1020162

For replacement or lost spare parts please go to <http://faq.hartmanuk.co.uk/spares/>

Should you have any queries about your furniture your first point of contact should be the retailer from whom you purchased your product

PLEASE KEEP ME WITH YOUR PROOF OF PURCHASE FOR FUTURE REFERENCE






For replacement or lost spare parts please go to <http://faq.hartmanuk.co.uk/spares/>
Should you have any queries about your furniture your first point of contact should be the retailer from whom you purchased your product

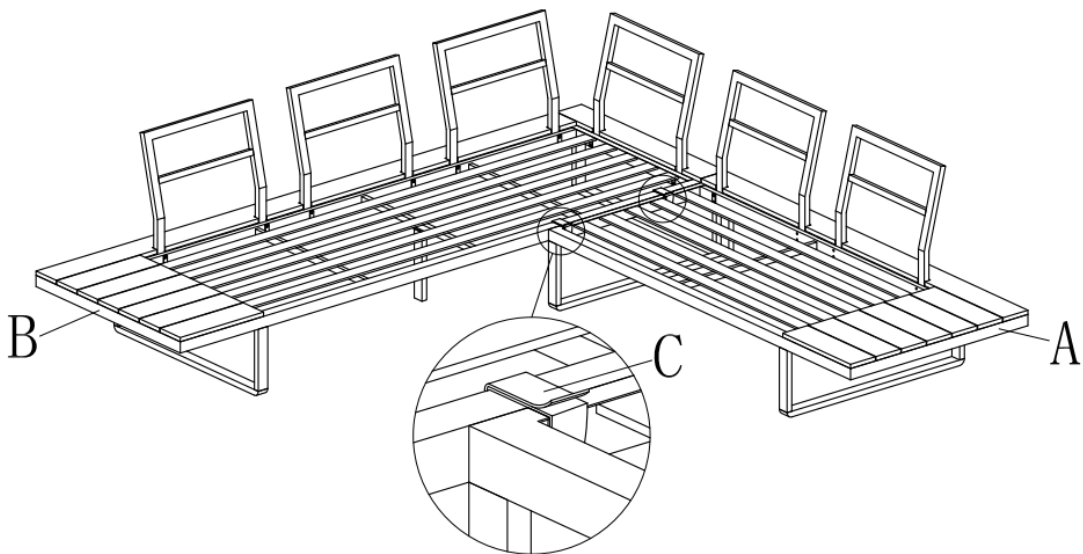
PLEASE KEEP ME WITH YOUR PROOF OF PURCHASE FOR FUTURE REFERENCE

ASSEMBLY STEPS:

1. Position part (A) and part (B) ready for assembly
2. **With 2** velcro straps (C) position over the section that adjoin parts (A) and (B).
3. Turn sofas over and place in desired position.

For more information regarding maintenance of your furniture please visit www.hartmanuk.com

Component's					Fixings				
Parts List	Parts Picture	Description	Q'ty	Part no	Parts list	Parts Picture	Description	Q'ty	Part no.
A		Sofa 1	1	69019012A1B	C		Velcro strap	2	
B		Sofa 2	1	69019012B1B					



For replacement or lost spare parts please go to <http://faq.hartmanuk.co.uk/spares/>

Should you have any queries about your furniture your first point of contact should be the retailer from whom you purchased your product