

PLEASE KEEP ME WITH YOUR PROOF OF PURCHASE FOR FUTURE REFERENCE.



ASSEMBLY INSTRUCTIONS

160 x 100cm Singapore Rectangular Table

(69124012.)

ATTENTION:

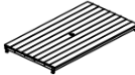


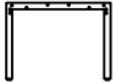




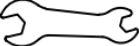

1. Please read these instructions carefully before assembly
2. Aluminium is soft metal and over tightening may strip thread or break the part
3. **DO NOT** use power tools
4. Please allow 30 minutes for assembly.
5. Although assembly only requires 1 person it is advised that a second person be present to help turn the table over and into position when fully assembled.

ASSEMBLY STEPS:

1. **LOOSELY** attach leg frame (B) to table top (A) with big bolts (D) & big flat washers (F) & big lock washer (H) for the two outer bolt holes and the small bolts (C), small flat washers (E) & small lock washer (G) for the four middle bolt holes, using spanner (I) **DO NOT TIGHTEN BOLTS AT THIS STAGE**
2. Tighten all bolts using spanner one by one being careful not to over tighten any as this will cause the thread to become damaged
3. Turn table top over and place in desired position.
4. Place parasol bungs & reducers(J) in the hole on table top.

For more information regarding maintenance of your furniture please visit

http://www.hartmanuk.co.uk/after_care_videos.html

Component's					Fixings				
Parts List	Parts Picture	Description	Q'ty	Part no	Parts list	Parts Picture	Description	Q'ty	Part no.
A		Table Top	1	69124012A	E		Small Flat washers	8	1241162
					F		Big Flat washers	12	1061162
B		Leg frame	2	69124012B	G		Small Lock Washers	8	1221162
C		M6*40mm bolts	8	2002168	H		Big Lock Washers	12	2100048
D		M8*40mm bolt	12	2002183	I		Spanner M6-M8	1	2100049
					J		Parasol bungs & reducers	3	2100050

For replacement or lost spare parts please go to <http://faq.hartmanuk.co.uk/spares/>

Should you have any queries about your furniture your first point of contact should be the retailer from whom you purchased your product.

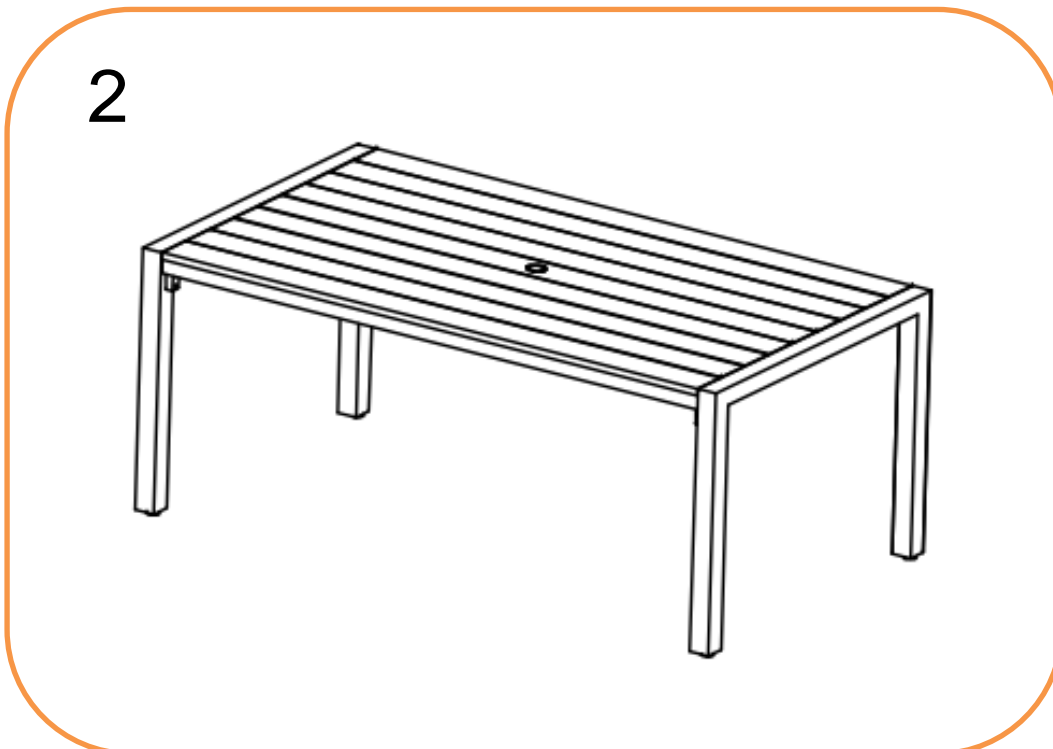
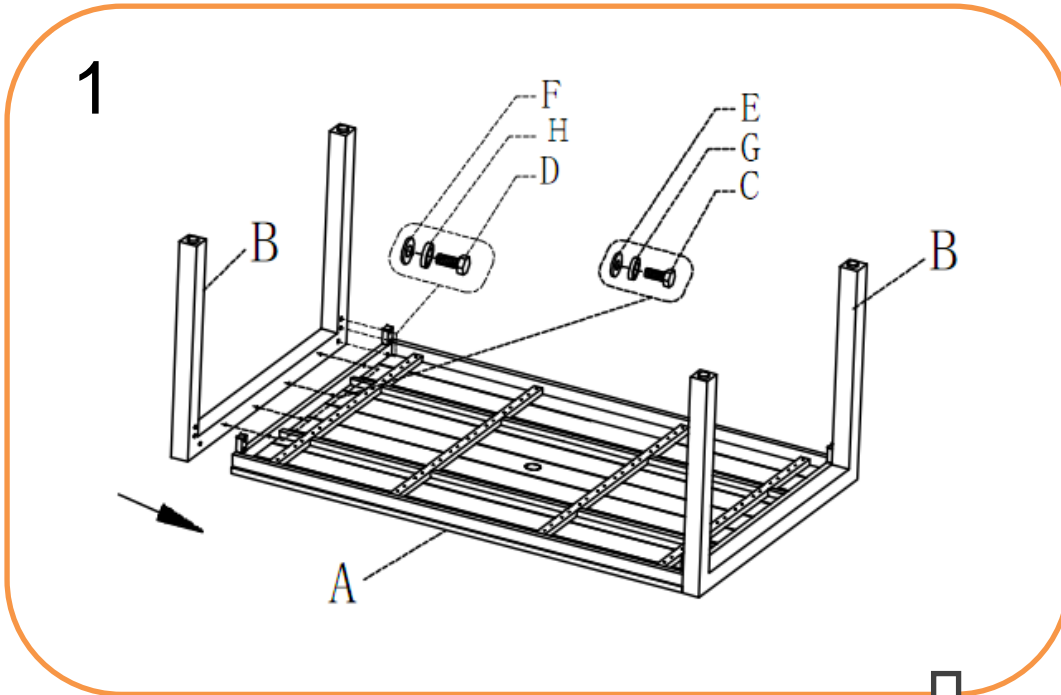
PLEASE KEEP ME WITH YOUR PROOF OF PURCHASE FOR FUTURE REFERENCE.



ASSEMBLY INSTRUCTIONS

160 x 100cm Singapore Rectangular Table

(69124012)



For replacement or lost spare parts please go to <http://faq.hartmanuk.co.uk/spares/>
Should you have any queries about your furniture your first point of contact should be the retailer from whom you purchased your product.